



# Genuine **HALDEX** Products

## Quick Reference Catalog

L20024 Rev. 3-15

**Haldex**

[www.haldex.com](http://www.haldex.com)

+1 800-643-2374 - US / +1 800-267-9247 - CANADA

ABS - Air Suspension Control - Air Treatment - Automatic Brake Adjusters  
Friction - Remanufactured Products - Spring Brakes

## **Important Notice**

The products described within this literature, including without limitation, product features, specifications, designs, availability and pricing are subject to change by Haldex and its subsidiaries at any time without notice.

This document and other information from Haldex, its subsidiaries and authorized distributors provide product and/or system options for further investigation by users having technical expertise. It is important that you analyze all aspects of your application and review the information concerning the product or system, in the current literature or catalog. Due to the variety of operating conditions and applications for these products or systems, the user, through their own analysis and testing, is solely responsible for making the final selection of the products and systems and assuring that all performance, safety and warning requirements are met.

# Table of Contents

DESCRIPTION	PAGE
New & Remanufactured Compressors, Kits, Governors & Air Cleaner	.2 - 4
Air Valves	.5 - 11
Suspension Valves	.12 - 14
Actuators, Maxibrakes, Service Chambers, Replacement Parts	.15 - 18
Electrical Products, Switches, Primary Wire, Brake Controllers, Battery Hardware	.19 - 24
Air Treatment Products	.25 - 26
Gladhands, Gladhand Grips, Reservoirs, Air Hoses, Coiled Air Hoses, Flexastiks	.27 - 29
Brake Adjusters (Manual, AA1, SABA)	.30 - 31
Water Pumps (New & Remanufactured)	.32
Anti-Lock Brake Systems (ABS)	.33 - 36
New & Remanufactured Clutches	.37 - 39
Remanufactured Products Alternators, Starters, Fan Clutches, Brake Calipers, Steering Gears & Pumps, Air Wiper Motors, Air Control Valves, Vacuum Boosters	.40 - 42
RSD Complete Fleet Solutions	.43 - 44
Grey-Rock™ Brake Block/Lined Shoe Descriptions	.45 - 46
Grey-Rock™ Brake Shoes (Most Popular Styles)	.47 - 50
Brake Hardware Kits	.51 - 52
TransitmaX® High Performance Brake Lining	.53 - 62

Copyright 2015  
Haldex Brake Products Corporation  
10930 North Pomona Avenue  
Kansas City, Missouri 64153

All rights reserved.  
Materials may only be reproduced with written permission of Haldex.

**Any Part Number throughout this Catalog with a Suffix "X" is Considered a Remanufactured Part.**

## Remanufactured Haldex Compressors



EL740 - 7.4 CFM



EL850 - 8.5 CFM



EL1300 - 12.9 CFM



EL1600 - 16.1 CFM



EL3200 - 32.2 CFM

Haldex air compressors are designed for use in heavy duty vehicle air brake systems.

The EL1300/EL1600 are water cooled, two-cylinder, reciprocating piston type

compressors designed for high performance with maximum durability for extended life.

The EL1600 is identical to the EL1300 except for the increased stroke which is achieved by increasing the crankshaft throw. The height of the compressor is increased by .19 inches.

The EL3200 is two twin cylinder EL1600 compressors assembled in-line and is designed for use on vehicles with a high air volume requirement for special accessory equipment requirements in addition to the air brake system.

The EL850 is a single cylinder compressor offered in water-cooled or air-cooled versions.

The EL740 compressors are offered in water-cooled or air-cooled versions and accommodate belt-driven or gear-driven mounting requirements for most gasoline and diesel engines.

All compressors are available remanufactured. Some older EL compressors may not be available in new product and may only be available in remanufactured form.

## Identification Information

### REMANUFACTURED PART NUMBERS

Any part number throughout this catalog with the "X" Suffix is considered a Remanufactured Part.

### COREFREE™ PART NUMBERS

Any part number throughout this catalog with the "RX" Suffix is CoreFree™. These parts require no core. The part you are looking for may be available CoreFree™. Please contact your Customer Service Representative for current availability.

### COMPRESSOR PORTING REFERENCES

Porting references on Bendix Compressors are looking at the "non-drive" end of the compressor.

Porting references on Haldex Compressors are looking at the drive end of the compressor. Heads on Haldex Compressors may be rotated unless otherwise noted.

## Flange and Engine

### ENGINE -

#### Standard Belt Drive

#### PART #



with Spec. Ford Bottom Plate EL13022RX, EL13022X

Standard Belt Drive EL13060X

Standard Belt Drive EL16060X

Air Cooled Single Cylinder KN85020X

Water Cooled Single Cylinder KN86020X



Caterpillar 1673, 1674, 3406B EL13080X  
EL13081X  
EL16080X



Caterpillar 3406-E240 Spline EL13120X  
EL16120X

Caterpillar 3406-E324 Taper EL13170X

Caterpillar 3406B-E324 Taper EL13200X  
EL16200X

Mack In-Line Six  
(\*Do Not Turbo-Charge  
Mack Compressors) EL13111X\*  
EL14111X  
EL16111X



Caterpillar 3306 EL13151RX, EL13151X



Cummins In-Line  
(Double Flange) EL13040RX, EL13040X  
EL16040RX, EL16040X



Cummins Type "B" Engines KNT85230X  
KNT86230X



Cummins Type "C" Engines EL13220X



Detroit Diesel 0° EL13050RX, EL13050X  
EL16050RX, EL16050X



Detroit Diesel 41° EL13090X

Detroit Diesel 45° EL13160X  
EL16160X

Detroit Diesel 50° EL13100RX, EL13100X  
EL16100RX, EL16100X

Detroit Diesel 75° EL16250X



Detroit Diesel 60 Series EL13312RX, EL13312X  
EL16312X

# Remanufactured Competitor Compressors

## BENDIX®



103274X



109139X



286528X  
286528X



5004187X



5004188X

PART #	Model	Description	Cooling	Air Inlet	Air Outlet	Notes
103274X	TF501	CAT 3406B - Flange Mount	Water/Air	Left	Top	Threaded Discharge
109139X	TF550	CAT 3406,C10,C12,C15,C16-Flange Mt.	Water	Left	Left/Top	Crankshaft Thread
286528X	TF501	Base Mount	Water/Air	Left	Top	Threaded Discharge
5004187X	TF750	Detroit 0° Tilt - Flange Mount	Water/Air	Right	Top/Right	60 Series Adapterless
5004188X	TF550	Detroit 0° Tilt - Flange Mount	Water/Air	Right	Top/Right	60 Series Adapterless

## CATERPILLAR (only available thru CAT and Haldex)



EL365007X



EL365131X  
EL365132X



EL365151X  
EL365152X

PART #	Description
EL365007X	CAT EL365 - 2-Hole Mount
EL365131X	CAT EL365 - 3-Hole Mount C13 (Pre 2007)
EL365132X	CAT EL365 - 3-Hole Mount C13 (2007 After)
EL365151X	CAT EL365 - 3-Hole Mount C15 (Pre 2007)
EL365152X	CAT EL365 - 3-Hole Mount C15 (2007 After)

**Notes**  
**Head Rotation:** Rear / **Block Rotation:** Right  
**Naturally Aspirated:** High Air Output  
**Thru-Drive:** 11 Tooth 150 ft lb torque  
**Pressure Relief Valve:** All Units  
**Inlet Check Valve:** All Units 2007 After

## CUMMINS



3018543X



3049186X



3558052X



3558072X



3558074X

PART #	Model	Description	Air Inlet	Air Outlet	Unloader Port/Type	Notes
3018543X	SS296 Super Single Cyl.	Cummins Std. Case	Left	Rear	Left/Direct	For L/K/N Engines
3049186X	SS296 Super Single Cyl.	Cummins Std. Case	Left	Rear	Left/Direct	Square Flange Crank.
3558052X	QE296C Econo Single Cyl.	Cummins C-Series	Left	Front	n/a	Iron Head/Cover
3558072X	QE296 Econo Single Cyl.	Cummins L10/N14	Left	Rear	n/a	Iron Head/Cover
3558074X	QE338 Econo Single Cyl.	Cummins E - Std. Case	Left	Rear	n/a	Iron Head/Cover

## WABCO



9111535100X



9111535200X



9111535300X



9111535400X



9111535410X

PART #	Model	Description	Bore Size	Water* Port	Discharge* Port	Governor* Port
9111535100X	SS318	Cummins ISX	85MM	M18 - 1.5 STOR	M27 - 2.0 STOR	M10 - 1.0 STOR
9111535200X	SS318	Cummins L, M, N	85MM	3/4" - 16 STOR	M27 - 2.0 STOR	M10 - 1.0 STOR
9111535300X	SS318	Cummins ISC, Thru Drive	85MM	3/4" - 16 STOR	M27 - 2.0 STOR	M10 - 1.0 STOR
9111535400X	SS318	Ext. Flange w/Gear, Thru Drive	85MM	3/8" NPT	1/2" NPT	1/8" - 27 NPT
9111535410X	SS318	Ext. Flange w/Gear, Non-Thru Drive	85MM	3/8" NPT	1/2" NPT	1/8" - 27 NPT

\* STOR - Straight Thread O-Ring

## Compressor Kits / Air Governor

### MANIFOLD KIT (INTAKE)

- Hose - 3/4"
- Mounting centers - 2.75

**PART NUMBER**  
SN3711AD



### DISCHARGE HOSE ASSEMBLY (FLEXIBLE)

- 1/2" I.D.
- Ferrule and nut included
- For easy changeover from a Bendix® side mount discharge to a top discharge Haldex Compressor

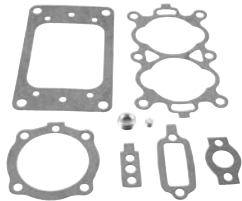
**PART NUMBERS**  
KN17500 - 18"  
KN17501 - 24"  
KN17503 - 48"  
KN17504 - 60"



### COMPRESSOR INSTALLATION KIT

- For EL1300/EL1600 Compressors

**PART NUMBER**  
SN144



### INLET CHECK VALVE

- For EL1300/EL1600 Compressors

**PART NUMBER**  
SN3711AJ



### MANIFOLD KIT (DISCHARGE)

- For all EL1300/EL1600 Compressors

**PART NUMBERS**  
SN3711AH - Side Outlet  
SN3711J - Threaded  
SN3711K - Right Hand  
SN3711L - Left Hand



SN3711J



SN3711K



SN3711L

### PISTON TYPE GOVERNOR

- Direct compressor or remote mount
- 1/8-27 NPT ports
- .336 Diameter mounting holes
- Cut-in pressure of 105 PSI normal
- Cut-out pressure of 130 PSI normal

**PART NUMBER**  
KN18530 (new)



### REMANUFACTURED D-2 STYLE GOVERNOR

- Standard unit
- 1/8" ports
- Cut-in pressure of 105-110 PSI normal
- Cut-out pressure of 15-30 PSI above Cut-in

**PART NUMBER**  
275491RX (CoreFree™)



## Air Cleaners

- Large capacity
- Provides greater atmospheric air intake capacity
- Suitable for mounting on Haldex and competitive model compressors

PART #	DESCRIPTION
100696E	Filter Only
KN19040	Assembly with Filter



Most Haldex Valves are available in New, Remanufactured and CoreFree®.  
Please consult the Haldex Master Catalog ([www.haldex.com](http://www.haldex.com)) for our complete listing.

## Relay Valves

- Used to apply and release service brakes on tractor or trailer
- Cover may be rotated without affecting performance or warranty
- Valves are supplied with and without brackets (Brackets may be purchased separately)

### RG2 - TWO PORT TRAILER VALVE

- Compact size
- Control position is in relationship to delivery ports
- Mounting .34" on 1 1/2" centers
- Crack Pressure 5.6 +/- 1.0 PSI



PART #	SUPPLY	DELIVERY	CONTROL POSITION
KN28500	(2) 3/8"	(2) 3/8"	90°
KN28510	3/8" & 1/2"	(2) 3/8"	90°
KN28514X*	1/2" & 3/8"	(2) 3/8"	90°
KN28520	(2) 1/2"	(2) 1/2"	90°
KN28531	1/2" & 3/8"	(2) 3/8"	0°

\* Available Remanufactured or CoreFree™ only.

### RG5 - TWO PORT TRAILER VALVE

- Used on 2 tank, 3 valve trailer system and tractor applications
- Made of durable EGC (Engineering Grade Composite)
- Crack Pressure 6.0 PSI



KN28550 shown

PART #	SUPPLY A	SUPPLY B	DEL.	CONTROL
KN28550	1/2" x 3/8" Nipple	Plugged	(2) 3/8"	1/4"
KN28551	Plugged	3/8"	(2) 3/8"	1/4"

### TWO PORT FAST AIR AND BALANCING (FAB)

- Speedup or fast air relay
- Used on converter dollies, long wheel base and towing trailers to accelerate control signal and meet FMVSS121 pressure differential requirements
- Cover may be rotated without affecting performance or warranty



PART #	SUPPLY	DEL.	CONTROL	CRACK PRESSURE
KN28300	(2) 1/2"	(2) 1/2"	3/8"	0 PSI

### TWO AND FOUR PORT SINGLE CONTROL LINE

- Used to apply and release service brakes on tractor or trailer
- Crack Pressure 4.6 PSI



KN28131 shown

PART #	SUPPLY	DELIVERY	CONTROL	PORTS
KN28042	(2) 1/2"	(4) 1/2"	1/4"	4
KN28131	(2) 1/2"	(2) 1/2"	1/4"	2
KN28140	(2) 1/2"	(2) 1/2"	1/4"	2

### TWO AND FOUR PORT WITH ANTI-COMPOUNDING

- Built-in anti-compounding two-way check valve for spring brake control
- Crack Pressure 4.6 PSI



KN28041 shown

PART #	SUPPLY	DELIVERY	CONTROL	PORTS
KN28041	(2) 1/2"	(4) 1/2"	2 (1/4")	4
KN28043	(2) 1/2"	(2) 1/2"	3/8" & 1/4"	2
KN28071	(2) 1/2"	(2) 1/2"	1/4" & 1/8"	2

### TWO PORT WITH INTEGRAL BRACKET

- Used to apply and release service brakes on tractor or trailer



KN28060 shown

PART #	SUPPLY	DEL.	CONTROL	CRACK PRESSURE
KN28060	(2) 1/2"	(2) 3/8"	3/8"	4.6 PSI
KN28061	(2) 1/2"	(2) 1/2"	3/8"	4.6 PSI
KN28132	(2) 1/2"	(2) 1/2"	3/8"	7.0 PSI

### FOUR PORT WITH INTEGRAL BRACKET

- Used to apply and release service brakes on tractor or trailer



PART #	SUPPLY	DEL.	CONTROL	CRACK PRESSURE
KN28080	(2) 1/2"	(4) 3/8"	3/8"	7.0 PSI
KN28085	(2) 1/2"	(4) 3/8"	3/8"	4.6 PSI

## Relay Valves (cont'd)

### RELAY VALVE - FOUR (VERTICAL) PORTS - SINGLE CONTROL

- For tractor or trailer application
- Four delivery ports facing down
- Low differential - high capacity
- Available in Remanufactured
- 3.0 PSI crack pressure



PART #	SUPPLY		DEL.	CONTROL
	A	B		
A103600	3/4"	Plugged(4)	3/8"	1/4"
A86472*	3/4"	Not Drilled-No Threads	(4) 1/2"	1/4"
A86473	1/2"	Not Drilled-No Threads	(4) 1/2"	1/4"
A86477	3/4"	Plugged(4)	1/2"	1/4"

\* Available New only.

## Isolation Valve

- Used in conjunction with a turbo-charged air compressor
- Added fuel economy and greater engine efficiency

**PART #**  
**KN23500**



## Trailer Valves

### FF2 - FULL FUNCTION VALVE

- Single valve trailer system combines a pressure protection valve, two one-way check valves, spring brake valve with quick release and a four port relay valve
- Easy to install, maintain and troubleshoot
- Meets FMVSS-121 anti-compounding requirements
- Available in Remanufactured and CoreFree™



PART#	RES.	SUPPLY	CNTRL.	DEL.	PRIORITY
KN28600	3.0 Crack Pressure; Res. 3/4"; Cont. 1/4"; Sup. 3/8"; Spring Brake 2 @ 3/8"	(4) 3/8"			
KN28601	3.0 Crack Pressure; Res. 1/2"; Cont. 1/4"; Sup. 3/8"; Spring Brake 2 @ 3/8"	(4) 3/8"			
KN28602*	5.0 Crack Pressure; Res. 3/4"; Cont. 1/4"; Sup. 3/8"; Spring Brake 2 @ 3/8"	(4) 3/8"			
KN28603*	5.0 Crack Pressure; Res. 1/2"; Cont. 1/4"; Sup. 3/8"; Spring Brake 2 @ 3/8"	(4) 3/8"			

\* Not available in CoreFree™.

### TRAILER BRAKE CONTROL VALVE

- Made of Engineering Grade Composite (EGC)
- Light weight; withstands high impact
- Integral anti-compounding
- Black Cover - Service Brake
- White Cover - Spring Brake



PART#	RES.	SUPPLY	CNTRL.	DEL.	PRIORITY
KN26110	1/2"	3/8"	3/8"	(4) 3/8"	Service Brake
KN26120	1/2"	3/8"	3/8"	(4) 3/8"	Spring Brake
KN26121	1/2"	3/8"	3/8"	(4) 3/8"	Service Brake

### EMERGENCY RELAY VALVES

- Pre-121 trailers, converter dollies or exempt trailers
- Crack Pressure: New - 3.0 PSI  
Reman/CoreFree™ - 4.5 PSI
- KN30100 - auto. bleed down feature
- KN30200 - non-charging
- KN30300 and KN30400 - charging



PART #	SVC. INLET	EMER. INLET	DEL. (4)	AUX. RES.	RES.
KN30100	1/4"	1/4"	1/4"	Plugged	3/4"
KN30200	3/8"	3/8"	3/8"	1/2"	Plugged
KN30300	1/4"	1/4"	1/4"	Plugged	3/4"
					w/nipple
KN30400	1/4"	1/4"	3/8"	Plugged	3/4" Fem.
					w/nipple

### RT-4 MULTI-FUNCTION TRAILER VALVES

- Used on trailers to control both parking and emergency brake functions
- KN26000X - Closing PPV 55 PSI
- KN26010/KN26020 - Closing PPV 70 PSI
- Meets FMVSS-121 trailer requirements



PART #	TRAILER SUPPLY	TRAILER CONTROL	RESERVOIR	DELIVERY
KN26000X*	(2) 3/8"	3/8"	1/2" & 3/8"	(4) 3/8"
KN26010	3/8" & Plugged;	3/8"	1/2" & 3/8";	(4) 3/8"
KN26020	(2) 3/8";	3/8"	1/2" & 3/8";	(4) 3/8"

\* Available Remanufactured or CoreFree™ only.



Most Haldex Valves are available in New, Remanufactured and CoreFree®.  
Please consult the Haldex Master Catalog ([www.haldex.com](http://www.haldex.com)) for our complete listing.

## Hand Operated Valves

### MANIFOLD DASH VALVE

- Replacement for the MV2/MV3 Valve
- One piece construction provides no center body leakage
- Made of durable Engineering Grade Composite (EGC)



PART #	PORTS	DESCRIPTION
KN20607	3/8" PTC	Vertical Mount; M6 Metric Nuts on Cover
KN20611	1/4"	Horizontal Mount; 1/4"-20 Well Nuts in Body
KN20615	1/4"	Horizontal Mount; 1/4" Hole in Body
KN20616	1/4"	Vertical Mount; 1/4"-20 Well Nuts in Body
KN20619	3/8" PTC	Vertical Mount; 1/4" Hole in Body

### PUSH-PULL HOSTLER VALVE

- Panel or bulkhead mount
- Requires 3/4" hole in dashboard



PART #	DESCRIPTION
KN20010	1/4" Ports; 25/40 PSI Pop Press.; Plain Knob
KN20011	1/4" Ports; 0 PSI Pop Press.; Plain Knob
KN20015	1/4" Ports; 25/40 PSI Pop Press.; Trailer Emergency Knob

### PUSH-PULL PARKING BRAKE VALVE

- Replacement for the PP-1 Valve
- Bulkhead mount - 7/8"
- Made of durable Engineering Grade Composite (EGC)
- Pop Pressure-35+/-10 PSI
- Knob Included



PART #	DESCRIPTION
KN20021	1/8" NPT Ports; System Brake
KN20022	1/8" NPT Ports; Parking Brake

### FLIPPER STYLE PANEL MOUNT

- Panel or remote mount
- Made of durable Engineering Grade Composite (EGC)
- An on-off, non-automatic two position valve
- Chrome Handle; All Ports 1/8"



PART #	MOUNTING HOLES
KN20001	#10-24 with 1.50" Centers
KN20002	M5 Metric with 1.50" Centers

### PP-8 REPLACEMENT VALVE

- Replacement for the PP-8 Valve
- Controls tractor only parking
- Made of durable Engineering Grade Composite (EGC)
- Bulkhead mount - 7/8"



PART #	DESCRIPTION
KN20035	All Ports 1/8"-27 NPT

### PP-7 REPLACEMENT VALVE

- Replacement for the PP-7 Valve
- Controls Tractor Protection Valve
- Made of durable Engineering Grade Composite (EGC)
- Bulkhead mount - 7/8"



PART #	SUP.	CNTRL.	DEL.	EXH.
KN20025	1/8" NPT	1/8" NPT	1/4" NPT	1/4" NPT

### PUSH-PULL PANEL MOUNT VALVE

- Panel mount
- All Ports are 1/4"
- Made of durable Engineering Grade Composite (EGC)



PART #	POP PRESSURE
KN20031	25-35 PSI
KN20033	7-17 PSI

Most Haldex Valves are available in New, Remanufactured and CoreFree®. Please consult the Haldex Master Catalog ([www.haldex.com](http://www.haldex.com)) for our complete listing.

## Drain Valves

### AUTOMATIC DRAIN VALVE

- Expels moisture with each brake application
- Removes excess moisture and contamination from "wet" tank
- Performs independently from compressor cycling
- Direct replacement for Bendix® DV2
- Built in heater prevents valve freeze-ups
- Built in filter protects valve against contamination

PART #	DESCRIPTION
KN24000	Not Heated
KN24001	Heated - 12 V



41010019	Heated - 12 V
41010021	Heated - 24 V

### MANUAL DRAIN VALVE

- Manual wet or dry tank drain valves
- Cable is looped on both ends for easy hand hold
- All models have 1/4"-18 NPT threads
- Vibra-Seal™ applied to threads



HIGH PROFILE PART #	LOW PROFILE PART #	
12100	KN21100	No Cable
12103	KN21103	3' Cable
12104	KN21104	4' Cable
12105	KN21105	5' Cable

## Quick Release Valves

### QUICK RELEASE VALVE

- Made of durable Engineering Grade Composite (EGC)
- Lightweight



PART #	INLET	OUTLET	PSI DIF.
KN32003	1/2"	3/8"	3
KN32005	3/8"	3/8"	0
KN32011	1/2"	3/8"	0
KN32013*	1/2"	3/8"	0
KN32060	3/8"	3/8"	6

\* Extra life QR Valve with dirt exclusion seal.

### QUICK RELEASE VALVE W/TWO-WAY CHECK

- Used in spring brake control circuits to prevent compounding on trucks and tractors
- Replaces two valves with one

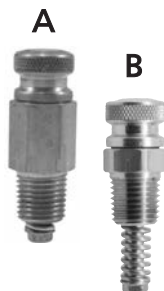


PART #	CNTRL.	DEL.
KN32040	1/4"	1/4"
KN32041	1/4"	3/8"

## Pressure Relief Valve

- Non-adjustable
- Made of brass and stainless steel
- Factory set at 150 PSI

PART # (A)-Air Lines	PART # (B)-Reservoirs
KN31400 - 1/4"	KN31200 - 1/4"
KN31450 - 3/8"	KN31250 - 3/8"
KN31300 - 1/2"	



## Soleonid Valve

- Used to operate the shift mechanism of a two speed axle

PART #	DESCRIPTION
KN68230	12 V
KN68237	24 V



Most Haldex Valves are available in New, Remanufactured and CoreFree®. Please consult the Haldex Master Catalog ([www.haldex.com](http://www.haldex.com)) for our complete listing.

## Tractor Protection Valves

### TRACTOR PROTECTION VALVE THREE LINE - AUTOMATIC

- Equipped with built-in quick release to improve trailer timing
- Eliminates the need for a separate valve
- Interchangeable with most competitive units



PART #	DESCRIPTION
KN34050X	3-Line w/Snorkel Exhaust
KN34070X	3-Line w/o Quick Release

Port orientations detailed in Haldex Master Catalog ([www.haldex.com](http://www.haldex.com)).

### TRACTOR PROTECTION VALVE MANIFOLD TYPE - NON-AUTOMATIC

- Includes tractor protection, two double check valves, stoplight switch port and built-in quick release



PART #	DESCRIPTION
KN34110	2-Line; No Exhaust
KN34111	2-Line; w/Exhaust Tube

Port orientations detailed in the Haldex Master Catalog ([www.haldex.com](http://www.haldex.com)).

### TRACTOR PROTECTION VALVE- TWO LINE NON-AUTOMATIC

- Must be used with Pressure Sensing Dash Control Valve
- Built-In Quick Release



PART #	TRAC. SERV.	TRAC. EMER.	TRLR. SERV.	TRLR. EMER.
KN34060	3/8"	1/4"	1/2"	1/2"
KN34061*	3/8"	1/4"	1/2"	1/2"

\*Exhaust Fitting

## Inversion Valve

- Used with spring brake equipped trucks
- Complies with FMVSS-121 regulations
- Detects primary control line failure, allowing modulated control of spring brake
- Interchangeable with competitive units without anti-compounding feature

PART #	PRIM. RES.	SUPPLY	CONTROL	DELIVERY	VERSION
KN28030	1/4"	1/4"	1/4"	1/4"	Pre-March 1998
KN28032	1/4"	1/4"	1/4"	1/4"	Post-March 1998
KN28034	3/8" PTC	3/8" PTC	3/8" PTC	3/8" PTC	Pre-March 1998



KN28032  
Shown

Most Haldex Valves are available in New, Remanufactured and CoreFree®. Please consult the Haldex Master Catalog ([www.haldex.com](http://www.haldex.com)) for our complete listing.

## Pressure Protection Valves

### PRESSURE PROTECTION VALVE

- E-coated zinc diecast body provides exceptional corrosion resistance
- Premium Nitrile diaphragm provides long life and reliability
- Durable design increases product life, reducing replacement costs
- Use in air suspensions, air seats and cab isolation systems

90554107



90555397



PART #	PORT SIZES	CLOSING PRESSURE	OPENING PRESSURE	FILTER
90554107	1/4" NPT	70 PSIG	75 PSIG Min.	Yes
90555396	1/4" NPT	65 PSI	70 PSI	No
90555397	1/4" NPT	80 PSI	85 PSI	No
90555398	1/4" NPT	90 PSI	95 PSI	No

### PRESSURE PROTECTION VALVE WITH ONE-WAY CHECK

- One-way check valve prevents reverse air flow
- Exceptional corrosion resistance



PART #	PORT SIZES	CLOSING PRESSURE	OPENING PRESSURE
90555409	1/4" NPT	65 PSI	70 PSIG
90555410	1/4" NPT	80 PSI	85 PSI
90555411	1/4" NPT	90 PSI	95 PSI

## Foot Operated Valves

### SINGLE CIRCUIT FOOT VALVE

- Used primarily with Pre FMVSS-121 vehicles
- Provides smooth and consistent pedal feel
- Interchangeable with most competitive units



PART #	DEL.	SUPPLY
KN22100	(4) 1/2"	(2) 1/2" (2) 1/4"

### DUAL CIRCUIT FOOT VALVE

- Meets FMVSS-121 requirements
- Provides smooth and consistent pedal feel
- Interchangeable with most competitive units



PART #	PEDAL ANGLE	DEL.	SUPPLY
KN22150	valve only	(4) 3/8"	(4) 3/8"
KN22501	45°	(4) 3/8"	(4) 3/8"
KN22511	27°	(4) 3/8"	(4) 3/8"
KN22521	34°	(4) 3/8"	(4) 3/8"

## Check Valves

### ONE-WAY CHECK VALVE

- Positive, long lasting valve for every application on trucks, tractors and trailers



PART #	PORTS
KN23000	1/2"
KN23010	3/8"
KN23040	3/4"
KN23060	1/2" 90° (Brass)

### TWO-WAY CHECK VALVE

- Shuttle type valve, mounts horizontal
- Interchangeable with most competitive models



PART #	INLET	INLET	OUTLET	OUTLET
KN25080	3/8" M w/Nipple	3/8" F	3/8" F	1/4" F Reducer
KN25090	3/8" F	3/8" F	3/8" F	1/4" F Reducer

F = Female M = Male

## Remanufactured Competitive Valves

### BENDIX® R-12 RELAY VALVE

PART #	SUPPLY	DELIVERY	CONTROL	EXHAUST	CRACK PRESSURE
102626X	1/2"	(4) 1/2"	1/4"	-	4.0 PSI



### BENDIX® PP-1 HAND CONTROL VALVE

PART #	SUPPLY	DELIVERY	CONTROL	EXHAUST	CRACK PRESSURE
276567X	1/8"	1/8"	-	1/8"	-

Note: Automatic Release Pressure - 40 PSI.



### BENDIX® E-6 DUAL CIRCUIT FOOT VALVE

PART #	SUPPLY	DELIVERY	CONTROL	EXHAUST	CRACK PRESSURE
286171X	(4) 3/8"	(4) 3/8"	-	-	-



### BENDIX® RE-6 EMERGENCY RELAY VALVE

PART #	SUPPLY	DELIVERY	SVC.	EMER.	INTL. EMER. APPL. PRES.	MAX. EMER. REL. PRES.
281865X	(1) 3/8" (1) 3/4"	(2) 1/4" (2) 3/8"	1/4"	1/4"	50±5 PSI	95 PSI



### BENDIX® QR-1 QUICK RELEASE VALVE

PART #	SUPPLY	DELIVERY	EXHAUST	CRACK PRESSURE
229859X	3/8"	3/8"	-	1 PSI



### SEALCO RATIO RELAY TRAILER VALVES

PART #	SUPPLY	DELIVERY	RESERVOIR		CONTROL
			A	B	
110170X	3/8"	(4) 3/8"	1/2"	1/2"	3/8"
110500X	3/8"	(4) 3/8"	1/2"	3/8"	3/8"



### BENDIX® MV-3 (MANIFOLD) HAND CONTROL VALVE

PART #	RESERVOIRS	DELIVERY TRACTOR	DELIVERY TRAILER	EXHAUST
800516RX	(2) 1/4"	1/4"	1/4"	1/4"



## Controlled Response (CR) Height Control Valve

- Controlled response time delay technology maintains chassis position and conserves air to increase compressor life
- Robust diecast zinc body to ensure operation in extreme conditions
- Flexible right or left mounting options provide ease of installation and reduced inventories
- Optional integrated dump valve provides the ability to automatically or manually exhaust air from the suspension
- All Ports are 1/8" NPT



PART #	DUMP VALVE	FITTINGS
90054007	N/A	1/4"
90554114	N/A	No Fittings
90554147	N/A	Adapt 1/8" NPT to M10 x 1
90554183	N/A	3/8"
90554334	Norm. Open	1/4" and 3/8"
90554648	Norm. Closed	1/4" and 3/8"

## Precision Response (PR) and PR Plus HCV

- Use of ceramic seal technology allows the valve to be very reliable and highly durable even in the most extreme conditions
- Non-time delay valve
- Tight dead zone
- Provides precise adjustment to ride height variation
- Normally Open Dump Valve



PART #	ARM	PORTS
90555318	7" Fixed	3-Port Side Manifold; Pilot Port 1/4" PTC; All Other Ports 3/8" PTC
90555353	7" Fixed	5-Port Side Manifold; Pilot Port 1/4" PTC; All Other Ports 3/8" PTC
90555375	7" Adjust.	3-Port Side Manifold; Pilot Port 1/4" PTC; All Other Ports 3/8" PTC
90555376	7" Adjust.	2-Port Straight Manifold; Pilot Port 1/4" PTC; All Other Ports 3/8" PTC
90555377	7" Adjust.	3-Port Straight Manifold; Pilot Port 1/4" PTC; All Other Ports 3/8" PTC
90555382	7" Adjust.	3-Port Straight Manifold; Pilot Port 1/4" PTC; All Other Ports 1/4" NPT

## Suspension Dump Valves

**PART #**  
**90554335**

**DESCRIPTION**  
Optional Normally Open Dump Valve; Gold Body

**PART #**  
**90554902**

**DESCRIPTION**  
Optional Normally Closed Dump Valve; Silver Body



For CR Type HCV

## COLAS® Raise/Lower Hand Valve

- Manual raise/lower hand valve for commercial vehicles and trailers
- Works with single or dual height control valve systems
- Horizontal or vertical installation with external mounting
- Optional automatic return to ride height makes valve error proof
- One component and fewer fittings reduces installation time
- Available with Push-To-Connect (PTC) fittings

PART #	DESCRIPTION
90555270	3/8" Push-To-Connect (PTC) Fittings
90555292	1/4" Push-To-Connect (PTC) Fittings



## Suspension EGP HCV

- Dual or single circuit operation without extra ports or fittings
- High grade durable all plastic construction for corrosion protection
- Optional dump valve available
- 1/4" NPT fittings

PART #	DESCRIPTION
KN27000	Standard Flow with 14" Lever Arm
KN27013	High Flow with 14" Lever Arm
KN27201	Low Flow (Valve Only)
90555105	Standard Flow (IR Type Valve Only)
90555106	Standard Flow with Normally Open IR Type Dump Valve
42150003	Standard Flow with Dual Ride Height, IR Type; Vertical Arm 20"; Horizontal Arm 12"



## ILAS® III Integrated Lift-Axle System Valve

- Integrated lift axle system: responds to pressure in air suspension and automatically lowers the lift axle when loaded. Error proof valve lowers lift axle when unit is loaded
- Manual version: lift axle is manually raised by pushing button in
- Automatic version: automatically lifts axle when load is removed
- Single component reduces assembly time and alleviates complicated plumbing issues
- Solid structure allows for easy external mounting
- Push-To-Connect (PTC) fittings should not be used in Canada due to extreme cold

PART #	DESCRIPTION
90555425	ILAS® III Manual; 1/4" - 18 NPT Threaded Ports
90555426	ILAS® III Automatic; 1/4" - 18 NPT Threaded Ports



90555425



90555426

## ILAS® E Integrated Lift-Axle System Valve

- Offers a cost effective installation for electronically controlled lift axles
- Simplified solutions reduce components and fittings
- Higher air flow provides faster response time of the lift axle
- Push-To-Connect (PTC) fittings
- Use with Haldex Trailer Roll Stability (TRS) or with manual electric switch
- DIN-Bayonet electrical connection
- Programmable through Haldex Trailer Roll Stability (TRS) for raising and lowering lift axle

PART #	DESCRIPTION
62101005	ILAS® E Lift Axle Valve Kit
90555326	ILAS® E Valve
814012131	ILAS® E Power Cable



## Scale-O-Matic

PART #	DESCRIPTION
42123026	Enclosed Manual Switch, Pilot Valve And Silicone Filled Gauge
42123039	Silicone Filled Gauge with Calibration Decal
90554346	Large Weather Proof Enclosure Box
90554628	Small Weather Proof Enclosure Box



Consult the Haldex Master Catalog ([www.haldex.com](http://www.haldex.com)) for a complete listing of Scale-O-Matic products.

## Linkage

- **Fixed Rod Linkage** must be ordered at the correct length Available in .025" increments from 4.5" to 19 5/8". To order a 14.25" linkage, specify the model number FB14.25-l, for a 16" linkage the model number would be FB16-l.
- **Fixed Loop Linkage** must be ordered at the correct length. Available in .025" increments from 4.5" to 19 5/8". To order a 10.5" linkage, specify the model number LP10.5-l, for a 12" linkage the model number would be LP12-l.

PART #	DESCRIPTION
48100225	Adjustable Linkage Model SRK 168; 19 5/8" Maximum



Consult the Haldex Master Catalog ([www.haldex.com](http://www.haldex.com)) for a complete listing of Linkage Products.

## Manually Operated Valve

- Small, Self-Relieving Manual Switch

**PART #**  
90054088

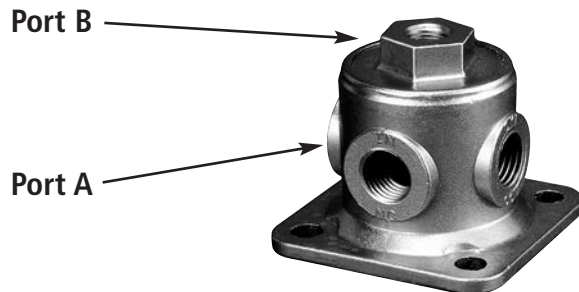
**DESCRIPTION**  
All Ports 1/8" NPT



## Pilot Valve

- Activated by applying pilot pressure
- Remote mounted valve suited for any chassis location
- Typically used on auxiliary axle applications or to rapidly exhaust air suspensions

PART #	DESCRIPTION
90554615	Port A - 1/4" NPT; Port B - 1/8" NPT





# Double Diaphragm Spring Brakes

## Gold Seal®

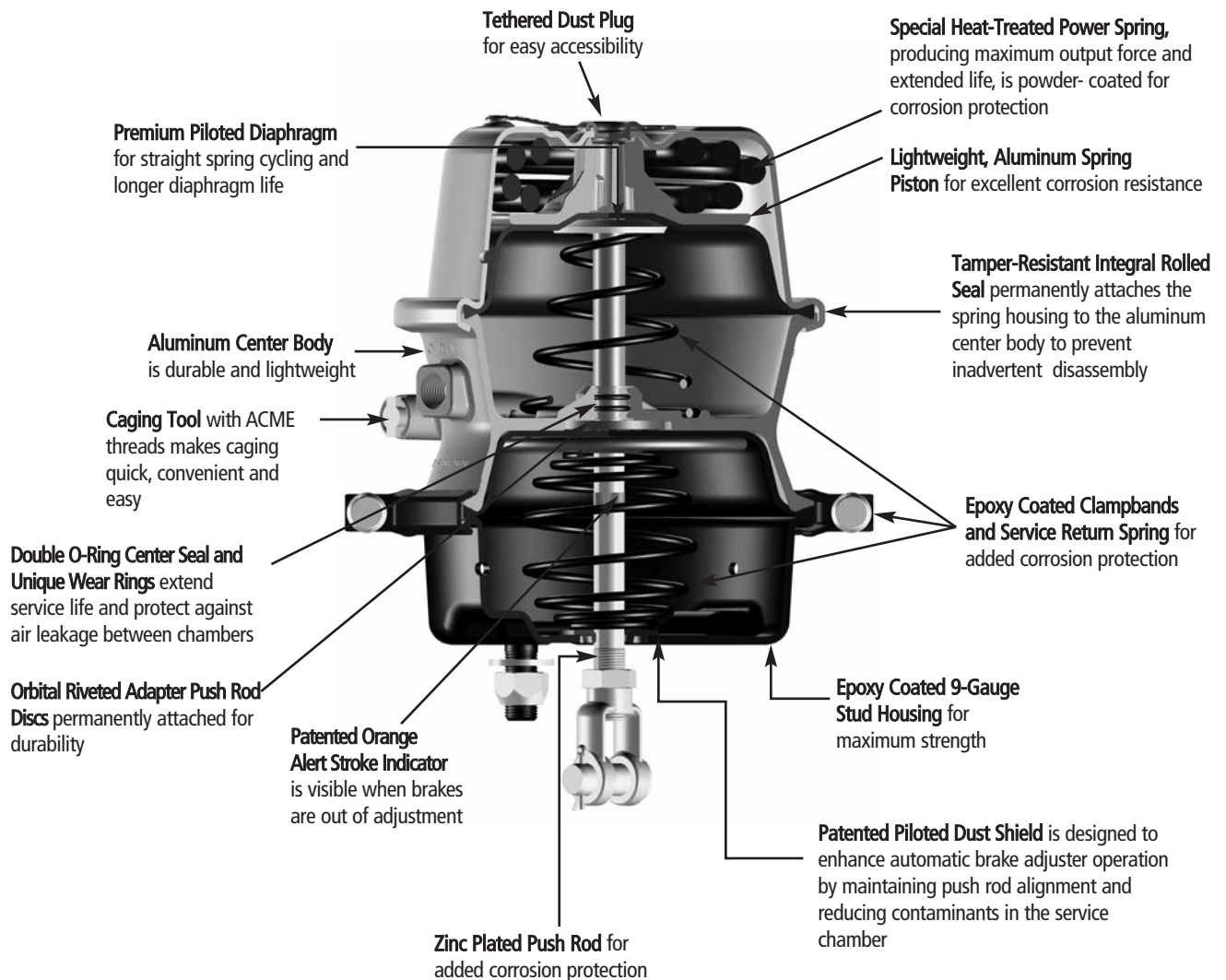
Long Stroke Gold Seal® (shown here) - Square ports; embossed or "cast-in" service instructions.

Standard Stroke Gold Seal® Round ports; no special tags or embossed service instructions.



Long Stroke Gold Seal®

- Haldex Gold Seal® Spring Brake is standard equipment on all N.A. built medium and heavy duty trucks, tractors and most popular brand trailers
- Haldex Gold Seal® is the first choice for standard equipment with many of the top national fleets in the US and Canada
- Every Haldex Gold Seal® Spring Brake is backed with a four year, unlimited mileage warranty. See Haldex Warranty Policy L20221 for more details



# Double Diaphragm Spring Brakes

## Life Seal®

Standard Stroke Life Seal®  
Round ports; no special tags or  
embossed service instructions.



- Haldex Life Seal® Spring Brake is the industry's first and only sealed double diaphragm spring brake
- Haldex Life Seal® is the first choice for standard equipment with many of the top national fleets in the US and Canada
- Every Haldex Life Seal® Spring Brake is backed with a six year, unlimited mileage warranty. See Haldex Warranty Policy L20221 for more details

**Polymer Coated Steel Chamber**  
isolates the power spring preventing all contaminants from entering the spring chamber. No vent holes, no air filters, no caging tool plugs and no external breather tubes

**Push Rod Housing Tube** maintains coil alignment and reduces coil stress and coil clash by guiding the spring piston and power spring on a straight path

**Internal Valve** allows trapped air inside the spring chamber during the caging process to escape through the vehicle air system



**Patented Orange Alert Stroke Indicator** is visible when brakes are out of adjustment



**Integral Caging Tool** with grade 8 ACME threads makes caging quick, convenient and easy

**Special Heat-Treated Power Spring**, producing maximum output force and extended life, is powder-coated for corrosion protection

**Patented Aluminum Form Fit Spring Piston** reduces overall actuator length

**Center Body Seal, Double O-Ring and EGP Bearings** reliable sealing even at low temperatures

**Polymer Coated Clamphands and Service Return Spring** for added corrosion protection

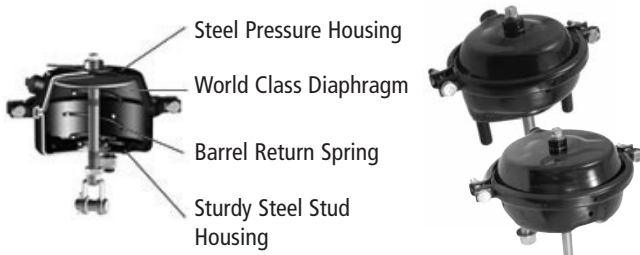
**Polymer Coated 9-Gauge Stud Housing** for durability

**Patented Piloted Dust Shield** is designed to enhance automatic brake adjuster operation by maintaining push rod alignment and reducing contaminants in the service chamber

## Double Diaphragm Spring Brakes

GOLD SEAL® PRODUCT DESCRIPTION	COMBO PART NO.	PIGGYBACK PART NO.	PIGGYBACK KIT PART NO.	AVAIL. STROKE	QTY. PER PKG.
<b>2424</b>	GC2424	GP2424		2.25"	1
2424 - Long Stroke	GC2424L	GP2424L		2.50"	1
<b>2430</b>	GC2430	GP2430		2.25"	1
2430 - Long Stroke	GC2430L	GP2430L		2.50"	1
2430 - Long Stroke	GC2430XL	GP2430XL		3.00"	1
2430 - Long Stroke/Welded Clevis	GC2430XCW			3.00"	1
<b>3030</b>	GC3030	GP3030	GP3030K	2.50"	1
3030 - Welded Clevis	GC3030CW			2.50"	1
3030 - Heavy Duty	GC3030HD			2.50"	1
3030 - Long Stroke	GC3030L			3.00"	1
3030 - Long Stroke/Welded Clevis	GC3030LCW	GP3030L	GP3030LK	3.00"	1
3030 - Long Stroke/Heavy Duty	GC3030LHD			3.00"	1
3030 - Long Stroke/14" Long Pushrod	GC3030LR			3.00"	1
3030 - Standard Stroke/14" Long Pushrod	GC3030R			2.50"	1
<b>3036</b>	GC3036			2.50"	1
3036 - Long Stroke	GC3036L	GP3036		3.00"	1
3036 - Long Stroke/Welded Clevis	GC3036LCW	GP3036L		3.00"	1
<b>3636</b>	GC3636	GP3636		3.00"	1
3636 - Welded Clevis	GC3636CW			3.00"	1
3636 - Long Stroke	GC3636L	GP3636L		3.00"	1
3636 - 3/4" Diameter Pushrod	GC3636Q			3.00"	1
LIFE SEAL® PRODUCT DESCRIPTION	COMBO PART NO.	PIGGYBACK PART NO.	PIGGYBACK KIT PART NO.	AVAIL. STROKE	QTY. PER PKG.
<b>3030</b>	LC3030	LP3030	LP3030K	2.50"	1
3030 - Welded Clevis	LC3030CW			2.50"	1
3030 - Heavy Duty	LC3030HD			2.50"	1
3030 - 14" Long Pushrod	LC3030R			2.50"	1

## Service Chambers



- Haldex Service Chambers are standard equipment on all N.A. built medium and heavy duty trucks and tractors
- Every Haldex Service Chamber is backed with a three year, 350,000 mile warranty (See Haldex Warranty Policy L20221 for more details)

SERVICE CHAMBER PRODUCT DESCRIPTION	SERVICE CHAMBER PART NO.	AVAIL. STROKE	QTY. PER PKG.
TYPE 9	SC09	1.75"	1
TYPE 12	SC12	1.75"	1
TYPE 16	SC16	2.25"	1
TYPE16 - Long Stroke	SC16L	2.50"	1
TYPE 20	SC20	2.25"	1
TYPE 20 - Long Stroke	SC20L	2.50"	1
TYPE 20 - Long Stroke Welded Clevis	SC20LCW	2.50"	1
TYPE 24	SC24	2.25"	1
TYPE 24 - Long Stroke	SC24L	2.50"	1
TYPE 24 - Extra Long Stroke	SC24XL	3.00"	1
TYPE 24 - Extra Long Stroke Welded Clevis	SC24XLCW	3.00"	1
TYPE 30	SC30	2.50"	1
TYPE 30 - Welded Clevis	SC30CW	2.50"	1
TYPE 30 - Long Stroke	SC30L	3.00"	1
TYPE 30 - Long Stroke Welded Clevis	SC30LCW	3.00"	1
TYPE 36	SC36	3.00"	1

## Maxibrake® Spring Brakes



- Complete spring brake
- All steel construction
- Rugged/Corrosion resistant

MAXIBRAKE® PRODUCT DESCRIPTION	MAXIBRAKE® PART NO.	AVAIL. STROKE
2475 Universal Spring Brake	MA15775	2.25"
2475 REMAN	MA15775X	2.25"
3075 Universal Spring Brake	MA15777	2.62"
3075 REMAN	MA15777X	2.62"
3675 Universal Spring Brake	MA15779	3.00"
3675 REMAN	MA15779X	3.00"

## Replacement Parts

PRODUCT DESCRIPTION	PART NO.	QTY. PER PKG.
Boot Assembly for 5/8" Pushrod	BA1	10
T-20 Clampband Kit	CB20	10
T-24 Clampband Kit	CB24	10
T-30 Clampband Kit	CB30	10
Clevis FD - 1/2" Pin	CF2	10
Clevis FD - 5/8" Pin	CF3	10
Clevis FD - 1/2" Pin - 3/4-16UNF	CF4	10
Clevis FD - 14MM Pin - M16x1.5	CF5	10
Clevis FD - 1/2" Stainless Pin	CF10	10
Clevis Pin - 1/2"	CP1	10
Clevis Pin - 5/8"	CP2	10
T-20 Diaphragm	DP20	10
T-20 LS Diaphragm	DP20L	10
T-24 and T-24 LS Diaphragm	DP24L	10
T-24 EX LS Diaphragm	DP24XL	10
T-30 Diaphragm	DP30	10
T-30 LS Diaphragm	DP30L	10
Dust Shield - 5/8" - Black	DS3	10
Dust Shield - 3/4" - Black	DS4	10
HW KIT - Lk Wsr & Nut - 5/8-11UNC	HW2	10
HW KIT - Wsr & Lk Nut - 5/8-11UNC	HW3	10
Jam Nut - 5/8-18UNF	HW5	10
Jam Nut - M16x1.5	HW6	10
CL Band Nut & Bolt - 3/8-24UNF	HW8	10
Elbow - Street 90° - 3/8-18NPTF	HW10	10
Pipe Plug - Square Head - 3/8-18NPTF	PP1	10
T-30 Service Push Rod - 5/8-18UNF	PR30	1
T-30 Service Push Rod - 3/4-14UNF	PR30S1	1
Spring - RT Gold & Life Seal 3030	RS5	1
Spring - RT All Other Except 3636 & RS5	RS6	1
Spring - RT 3636	RS7	1
Release Tool - All DDSB Except 3036/3636	RT1	10
Release Tool - 3036 & 3636	RT2	10
Release Tool - Remote Chamber	RT3	10
Release Tool Plug - All DDSB Exc 3036/3636	RTP1	10
Release Stud Plug - Old Midland Style	RTP2	10
Release Tool Plug - 3036 & 3636	RTP3	10

## Maxibrake® "H" Series



- For Durapark system spring brake only
- All steel construction
- Rugged/Corrosion resistant design

MAXIBRAKE® PRODUCT DESCRIPTION	MAXIBRAKE® PART NO.	AVAIL. STROKE
H-Series Hydraulic Spring-Set Brake	MA15500	2.00"
H-Series Hydraulic; Remanufactured	MA15500X	2.00"
H-Series Hydraulic with Elbow Fitting	MA15502	2.00"
H-Series with Elbow Fitting; Reman.	MA15502X	2.00"
H-Series Air Spring; Remanufactured	MA15504X	2.00"

# 7-Way Plugs & Receptacles

## HEAVY DUTY DIE CAST PLUGS

- Durable zinc, diecast housing for rugged service
- Meets requirements of SAE J560
- Brass terminal pins for maximum current carrying ability
- Fully interchangeable with other SAE Type, 7-way plugs



PART #	DESCRIPTION
B202610	Replacement Insert
B205140	Spring Guard Only
BE23783	Trailer Plug Assembly Only
BE23784	Trailer Plug Assembly with Spring Guard

## DIE CAST AUXILIARY FOR SECONDARY CABLES

- Meets auxiliary requirements of SAE J560 (replaces ISO 3731)
- For use with secondary cable for auxiliary requirements
- Male ground pin on plug and female ground pin on receptacle prevent mixed connections



PART #	DESCRIPTION
B205010	Receptacle Boot
BE23712	Auxiliary Receptacle w/Die Cast Housing
BE23790	Auxiliary Plug w/Die Cast Housing and Spring Guard

## HEAVY DUTY DIE CAST RECEPTACLE

- Durable zinc, diecast housing for rugged service
- Meets requirements of SAE J560
- Brass terminal pins for maximum current carrying ability
- Fully interchangeable with other SAE Type, 7-way receptacles
- Wire insertion style



PART #	DESCRIPTION
B202611	Replacement Insert
B205010	Receptacle Boot
BE16797	Metal Door Lid Kit
BE23703	Receptacle Assembly - Split Pin

## TWO POLE PLUG & RECEPTACLE TAILGATE CONNECTORS

- One Positive - One Negative Pole
- 200 AMP Capacity
- Terminals Accept 4 Gauge Cable
- Receptacle Lug - Stud Hole Size 1/4"



PART #	DESCRIPTION
B205010	Receptacle Boot
BE23201	Receptacle Assembly
BE23202	Plug Assembly w/Spring Guard

## HEAVY DUTY POLY PLUG & RECEPTACLE



PART #	DESCRIPTION
BE16730	Plug Assembly w/Spring Guard
BE23707	Receptacle Assembly - Ring Terminal
BE23709	Receptacle Assembly - Bullet Terminal
BE23717	Receptacle Assembly - Wire Insert Style

## SINGLE POLE PLUG & RECEPTACLE TAILGATE CONNECTORS

- Plated Copper Grounding Lug.
- 300 Amp Capacity
- Plug Grounding Lug Accepts 4 Gauge Cable
- Receptacle Lug - Stud Hole Size 5/16"



PART #	DESCRIPTION
B205010	Receptacle Boot
BE23101	Receptacle Assembly
BE23102	Plug Assembly w/Spring Guard

## 7-Way Plugs & Receptacles (cont'd)

### CIRCUIT BREAKER STYLE RECEPTACLES WITHOUT HOUSING

- Receptacle only
- AMPS Ratings from 15 - 30 AMPS
- Mounting centers of 4 1/2" and an overall height of 2 1/2"
- Mounts in 4" opening
- Zinc plated split brass pins



PART #	DESCRIPTION
BE24000	Receptacle Without Housing - Less Breaker
BE24015	15 AMP Receptacle Without Housing
BE24020	20 AMP Receptacle Without Housing
BE24030	30 AMP Receptacle Without Housing
BQ24002	Cover Assembly

### DIE CAST RECEPTACLE WITH LARGE MOUNTING PLATE

- Meets requirements of SAE J560
- Split pin, wire insertion
- Not equipped with circuit breakers
- Dedicated ground or ground connection is through mounting plate
- Gasket Included



PART #	DESCRIPTION
BE16797	Metal Replacement Lid Kit
BE23705	Receptacle With Large Mounting Plate

### DIE CAST CIRCUIT BREAKER STYLE RECEPTACLE WITH POLY HOUSING

- AMPS Ratings from 15 - 30 AMPS
- Industry standard for trailer applications
- Zinc plated split brass pins
- Gaskets Included
- Housing Depth: 1 3/4"
- Overall Depth: 2 3/4"



PART #	DESCRIPTION
BE24115	15 AMP
BE24120	20 AMP
BE24130	30 AMP

## 6-Way Plug & Receptacle

- Quality zinc casting with Engineering Grade Composite (EGC) inserts



PART #	DESCRIPTION
BE23602	6-Way Receptacle
BE23603	6-Way Plug
BE23604	6-Way Plug with Spring Guard

## 4-Way Plug & Receptacle

- Quality zinc casting with Engineering Grade Composite (EGC) inserts



PART #	DESCRIPTION
BE23402	4-Way Receptacle
BE23403	4-Way Plug
BE23404	4-Way Plug with Spring Guard

## 7-Way Terminal Cleaner

- One end for plug
- One end for receptacle
- Stainless steel brushes
- One-year warranty



PART #
BE20400

## Coiled Cables



DESCRIPTION	GAUGE WIRES	LEADS	12' PART #	15' PART #
Black Light Duty Powercoil w/Spring Guard - Non-ABS	1/12, 6/14	2@12"	BE27039	BE27019
Black Standard Duty Powercoil w/Spring Guard - Non-ABS	1/10, 6/12	2@12"	BE27029	BE27031
Green Ultra Heavy Duty ABS Powercoil w/Spring Guard	1/8, 2/10, 4/12	2@12"	BE27070	BE27071
Green Ultra Heavy Duty ABS Powercoil w/Spring Guard	1/8, 2/10, 4/12	1@12", 1@48"	n/a	BE27072
Green Ultra Heavy Duty ABS Powercoil w/Spring Guard	1/8, 2/10, 4/12	1@12", 1@72"	n/a	BE27073
Yellow ABS and Auxiliary Plug Powercoil w/Spring Guard	1/8, 2/10, 4/12	2@12"	n/a	BE27096

## Electro-Pneumatic Switches

### LOW AIR SWITCH

- Actuates at 66 PSI
- Single pole, two terminal
- Circuit position normally open
- 1/8-27 NPT Threads
- Available in 12V or 24V



**PART # BE13241**

### TRACTOR SPRING BRAKE CIRCUIT LIGHT SWITCH

- Actuates at 55 PSI
- Single pole, two terminal
- Circuit position normally closed
- 1/8-27 NPT Threads
- Available in 12V or 24V



**PART # BE13240**

### TRAILER EMERGENCY STOPLIGHT SWITCH

- Actuates at 55 PSI
- Single pole, double throw, three terminal
- Circuit position normally one open, one closed
- 1/8-27 NPT Threads
- Available in 12V or 24V



**PART # BE13255**

### SERVICE CIRCUIT STOPLIGHT SWITCH

- Actuates at 3-5 PSI
- Single pole, two terminal
- Circuit position normally open
- 1/4-18 NPT Threads
- Available in 12V or 24V



**PART # BE13250**

## Electric Trailer Brake Controllers

### PRIMUS™ IQ BRAKE CONTROL

- Works proportionally in reverse
- No level adjustment necessary, adjusts to varying terrain as you drive
- Digital display shows voltage to trailer during braking
- Boost feature allows for customized braking
- Pre-assembled wire harness for simple hook-up and quick disconnect
- Diagnostic features incorporated in LED display
- Electric trailer brake control for up to three axles
- Limited Lifetime Warranty (some conditions apply)



**PART # BE90155**

### VOYAGER BRAKE CONTROL

- Built to replace the Mark 12 (BE30212) and Mark 24 (BE30224)
- One-third the size of the Mark 12 and Mark 24
- Application for 2 or 4 wheel brakes



**PART # BE30227**

# Single Conductor PVC

## SINGLE CONDUCTOR PVC PRIMARY WIRE

- SAE J1128 TYPE GPT
- 300 Volts
- Poly-vinyl insulation with superior abrasive strength
- Highly resistant to acid, grease, oil and gasoline
- Compounded to incorporate moisture resistance and desirable aging characteristics
- Standard package 100' spool (Also available in mini-spools)



PART #		PART #	
<b>8 GAUGE</b>			
BE28140	Black	BE28158	Black
BE28141	Red	BE28159	Blue
<b>10 GAUGE</b>			
BE28142	Black	BE28160	Green
BE28143	Blue	BE28161	Red
BE28145	Red	BE28162	Yellow
BE28147	White	BE28163	White
<b>12 GAUGE</b>			
BE28150	Black	BE28164	Brown
BE28151	Blue	<b>16 GAUGE</b>	
BE28152	Green	BE28166	Black
BE28153	Red	BE28167	Blue
BE28154	Yellow	BE28168	Green
BE28155	White	BE28169	Red
		BE28170	Yellow
		BE28171	White
		BE28172	Brown
		<b>18 GAUGE</b>	
		BE28174	Black

## Primary Wire

### JACKETED TWO CONDUCTOR

- Meets SAE J1128, Type GPT specifications
- Black, White Conductor Color
- Covered with gray PVC jacket
- Standard package 100' spool



PART #	DESCRIPTION
BE28820	16 Gauge
BE28821	14 Gauge
BE28822	12 Gauge

### JACKETED THREE CONDUCTOR

- Meets SAE J1128, Type GPT specifications
- Black, Green, Red Conductor Color
- Covered with gray PVC jacket
- Standard package 100' spool



PART #	DESCRIPTION
BE28828	16 Gauge

## Multi-Conductor Wire

### BONDED THREE CONDUCTOR

- Meets SAE J1128, Type GPT specifications
- Brown, Yellow, Green Conductor Color
- Standard package 100' spool



PART #	DESCRIPTION
BE28825	14 Gauge

### BONDED FOUR CONDUCTOR

- Meets SAE J1128, Type GPT specifications
- Brown, White, Green, Yellow Conductor Color
- Standard package 100' spool



PART #	DESCRIPTION
BE28826	16 Gauge
BE28827	14 Gauge



# Battery Hardware

## POST TYPE HEAVY DUTY UNIVERSAL BATTERY TERMINAL

- 1/0 Gauge 3-way Top Terminal
- 1 Set (One Neg./One Pos.)



**PART #**  
**BE20179**

## FLEET HEAVY DUTY UNIVERSAL BATTERY TERMINAL

- For temporary repair battery terminals.
- Universal, Clamp Type.
- 2/0 To 4/0 Gauge Cable.



**PART #**  
**BE20196**

## COPPER LUG - CLOSED TYPE BATTERY TERMINAL

PART #	DESCRIPTION
BE20140	4/0 Gauge; 1/2" Stud
BE20141	4/0 Gauge; 3/8" Stud
BE20142	3/0 Gauge; 1/2" Stud
BE20143	3/0 Gauge; 3/8" Stud
BE20144	2/0 Gauge; 3/8" Stud
BE20145	2/0 Gauge; 1/2" Stud
BE20147	1/0 Gauge; 3/8" Stud



## TOP POST - BATTERY TERMINAL

- Tin-plated Copper Alloy

PART #	DESCRIPTION
BE20222	1/0 Positive
BE20223	1/0 Negative
BE20224	2/0 Positive
BE20225	2/0 Negative



## STUD NUTS - GROUP 31 BATTERIES

- Stainless Steel
- Universal polarity

**PART #**  
**BE20100**



## REPLACEMENT BOLT AND NUT FOR 5011 SERIES

**PART #**  
**BE31805**



## UNIVERSAL STYLE TERMINAL CONVERTER

**PART #**  
**BE31807**



## HEAVY DUTY TRUCK JUMPER CABLES AND GROUND STRAPS

PART #	DESCRIPTION	
BE20166	2/0 Gauge; 12"; Top Post to Top Post	
BE20172	4/0 Gauge; 12" Ground Strap	
BE31800	2/0 Gauge; 8"; Anti-Rotational Lugs; Top Stud to Top Stud	
BE31801	2/0 Gauge; 12"; Anti-Rotational Lugs; Top Stud to Top Stud	
BE4910	4/0 Gauge; 18" Ground Strap	

## BOOSTER CABLE & ACCESSORIES

PART #	DESCRIPTION	
BE38001	20' Booster Cable	
BE38002	16' Booster Cable	
BE38004	500 Amp Clamp Set	

## WELDING CABLE

- High grade soft annealed copper conductor
- High strand count for superior flexibility
- Jacketed with an oil-resistant black neoprene cover



PART #	DESCRIPTION
BE28810	4/0 Ga./25' Coil/.410" Nom. O.D. Minimum 418 Strands
BE28814	2/0 Ga./25' Coil/.634" Nom. O.D. Minimum 1273 Strands

# Battery Hardware (cont'd)

## BATTERY AND STARTER CABLES

- Conductors are made of high grade soft annealed copper
- High strand count for flexibility
- Meets the requirements of SAE J1127 - Type SGT
- Cable is jacketed with a specially formulated abrasion resistant PVC

DESCRIPTION	NOM. O.D.	25' COIL	100' COIL
4 Gauge/Red	0.346"	BE28809	BE28815
2 Gauge/Red	0.445"	BE28816	BE28817
1 Gauge/Red	0.482"	n/a	BE28800
1/0 Gauge/Black	0.514"	BE28808	BE28802
2/0 Gauge/Black	0.582"	BE28805	BE28804
3/0 Gauge/Black	0.662"	BE28807	BE28806
4/0 Gauge/Black	0.740"	BE28818	n/a

## BLACK NON-ABS TRAILER CABLES

- Up to 10% more copper content than required by SAE J1128
- High conductor strand count for excellent flexibility
- Flexibility down to temperatures of 85 F (-65 C)
- Up to three times more abrasion resistant than competitive cables

DESCRIPTION	NOM. O.D.	100' COIL	500' COIL
<b>Light Duty</b>			
4/14; 4-Way	0.4206"	BE28414	BE28415
6/14; 6-Way	0.544"	BE28614	BE28615
6/14, 1/12; 7-Way*	0.554"	BE28714	BE28716
<b>Standard Duty</b>			
6/12, 1/10; 7-Way	0.581	BE28712	BE28715

\* Also available in 250' Coil (P/N BE28727)

## Switches

### IGNITION KEY SWITCH

- Universal ignition starter switch
- 4 post connection
- Acc./off/on/start
- Waterproof o-ring sealed and has pick proof lock



**PART # BE20097**

### AXLE SHIFT SWITCH

- Two speed
- Zinc diecasting
- Rubber cover



**PART # BE20098**

### MASTER DISCONNECT SWITCHES

- Lever operated
- S.P.S.T. OFF-ON
- Two Stud Terminals

**PART # BE20068**



- D.P.S.T.
  - For alternator or generator system
- PART # BE20070**

### PUSH-PULL SWITCH (EXTRA HEAVY DUTY)

- S.P.S.T ON-OFF
- 75 AMP, 6-28 Volts
- Stem: 5/8" Long; 15/32" Dia. Thread
- Chrome Plated, Diecast Knob



**PART # BE20051**

### TOGGLE SWITCH

- U/L Listing: 20 AMP
- S.P.S.T. ON-OFF - 2 Screws

**PART # BE20085**



### MOMENTARY PUSH SWITCH

- 60 AMP @ 12V; 40 AMP @ 24V
- Weather and Dust Proof Construction
- Silver Contacts
- Flush terminal screws
- Stem: 5/8" Long; 5/8" Dia. Thread

**PART # BE20065**



### BUZZER

- Truck low air pressure and bus rear door warning signal
- 12V - Two Screw Terminals

**PART # BE22638**



### STARTER SOLENOID

- 85 AMPS @ 12 V Continuous Duty
- Insulated Base
- Operating Coil Connections

**PART # BE68202**



# Haldex Air Treatment Products

## DRYest® AIR DRYER

- Uses MTC+ 5-stage desiccant cartridge for superior drying and long service life
- Integrated turbo protection valve prevents loss of engine turbo
- Compact size makes installation easy, even as a drop-in dryer
- Built-in heater prevents freeze-ups
- Purge Tank Kit - **Part #47010001**



PART #	Heater Voltage	System Regen.	Internal Governor
DA35100	12 Volt	X	
DA35105	24 Volt	X	
DA35110*	12 Volt		
DA35115*	24 Volt		
DA35200	12 Volt	X	X
DA35205	24 Volt	X	X
DA35210*	12 Volt		X
DA35215*	24 Volt		X
DA35220*	None		X

\*For use with external purge tank.

## CONSEP® CONDENSER/SEPARATOR

- Condenses and separates oil, water and other contaminants in compressed air line, substantially increasing desiccant life
- Includes Haldex Automatic Drain Valve (ADV)
- Ideal for transit and heavy braking applications
- Installs between compressor and air dryer, or can be used as a stand alone unit
- Purges contaminants with each brake application



PART #	DESCRIPTION
41210026	12 Volt
41210029	24 Volt

## MTC+ Multi-Treatment Cartridge

- Serpentine path makes MTC+ more efficient and extends dryer service life
- Different sized desiccant creates over 26% more surface area than competitor's single desiccant cartridge
- Service is quick and easy with 4-bolt slide in-and-out design

Stage 1: Aluminum Mesh for solid particles  
 Stage 2: Large Desiccant for oil & water droplets  
 Stage 3: Medium Desiccant for oil & water vapor  
 Stage 4: Small Desiccant for water vapor  
 Stage 5: Dust Filter for ultra-fine particles



Part #	DESCRIPTION
DQ6050	PURest MTC+ Kit
47178964	DRYest and ModulAir® MTC+ Kit

## PURest® AIR DRYER

- Uses MTC+ 5-stage desiccant cartridge for superior drying and long service life
- Includes universal mounting bracket
- Integrated turbo protection valve prevents loss of engine turbo
- MTC+ Cartridge attaches with only 4 bolts, making for easy servicing and time savings



PART #	Heater Voltage
DA34100	12 Volt
DA34110	24 Volt
DA34160	12 Volt without Bracket
DA34200	12 Volt with "Econ" Valve

## MODULAIR® AIR DRYER

- Large MTC+ 5-stage desiccant cartridge eliminates more contamination than single stage competitors (9.2 SCF drying capacity)
- Heat resistant brass turbo protection valve lasts longer than plastic composite valves
- Complete plug-n-play changeover from Bendix® AD-IS system
- Three-year warranty



PART #	Heater Voltage	System Regen.	Internal Governor
DA36100	12V & 24V	X	X
DA36200	12V & 24 V	Requires External Purge	X

## EXTERNAL PURGE TANK KIT FOR MODULAIR®

PART #	DESCRIPTION
DQ6058	Kenworth T Series
DQ6060	Kenworth W 900 Series
DQ6061	Navistar Pro Series
DQ6063	Peterbilt
DQ6064	Kenworth (Behind the Cab)



## ALCOHOL EVAPORATOR

- Easy to install
- Holds 40 oz. of Methyl Alcohol.
- Pressure protected
- The alcohol evaporator is an automatic vaporizing device for keeping air lines and air reservoirs free of ice.



**PART # A72420**

## New and Remanufactured Bendix® Air Dryers & Cartridges



109477X



109685X



109991X



5004050X



65041X

**AD-4**

PART #	SUPPLY	DELIVERY	CONTROL	HEATER VOLTAGE	NOTES
65041X	1/2"	1/2"	1/4"	12 Volt	AD-4 Cartridge - <b>104358X</b> AD-4 Fleet Svc. Kit - <b>104358MKX</b>

**AD-9**

PART #	SUPPLY	DELIVERY	CONTROL	HEATER VOLTAGE	NOTES
65224	1/2"	3/4"	1/4"	24 Volt	New AD-9 Dryer Soft Seat Purge
65225	1/2"	1/2"	1/4"	12 Volt	New AD-9 Air Dryer
109685X	1/2"	1/2"	1/4"	12 Volt	AD-9 Cartridge - <b>107794X</b> AD-9 Fleet Svc. Kit - <b>107794MKX</b>

**AD-IP**

PART #	SUPPLY	DELIVERY	CONTROL	HEATER VOLTAGE	NOTES
109477RX	1/2"	1/2"	1/4"	12 Volt	CoreFree™ AD-IP Cartridge - <b>109493RX</b>
109477X	1/2"	1/2"	1/4"	12 Volt	Reman AD-IP Cartridge - <b>109493X</b> New AD-IP Cartridge - <b>65624K</b>

**AD-IS**

PART #	SUPPLY	DELIVERY	CONTROL	HEATER VOLTAGE	NOTES
5004050X	1/4"	1/4"	1/4"	12 Volt	New AD-IS Cartridge - <b>5008414K</b>
5010696X	1/4"	1/4"	1/4"	12 Volt	AD-IS With Extra Purge Volume

**AD-SP**

PART #	SUPPLY	DELIVERY	CONTROL	HEATER VOLTAGE	NOTES
109991X	1/2"	1/2"	1/4"	12 Volt	New AD-SP Cartridge - <b>109994K</b> AD-SP Purge Valve Kit - <b>109995K</b>

### Bendix® AD-IS Governor/Check Valve Replacement Kit



· Non-adjustable governor and check valve made specifically for use with the Bendix® AD-IS Air Dryer

**PART #**  
**5004049K**



SS1200

## WABCO Air Dryers

PART #	SUPPLY	DELIVERY	CONTROL	HEATER VOLTAGE	NOTES
955205	1/2"-14 FPT	1/2"-14 FPT	1/4"-18 FPT	12 Volt	New SS1200 Compact Air Dryer
955205X	1/2"-14 FPT	1/2"-14 FPT	1/4"-18 FPT	12 Volt	SS1200 Cartridge - <b>950011K</b>

## Gladhands

### CONVENTIONAL STYLE

- Economical heavy duty gladhand available in aluminum body/steel face or cast iron body
- Polarized and color coded in service configuration for easy identification of airlines
- Interchangeable with most competitive gladhands.
- Aluminum/Steel units come with Internal filter installed to protect airline from contamination



PART #	ALUMINUM/STEEL
11450	Universal; Seal 10028
11452	Service; Seal 10028
11461	Emergency; Seal 10028

Dual Lip Seal



Part # 10028

PART #	CAST IRON
A77770	Service; Seal 10029
A77771	Emergency; Seal 10029
A86300	Universal; Seal 10029

Compression Seal



Part # 10029

### BRACKET MOUNT STYLE

- Bracket mount eliminates the need for additional mounting panels, lowering overall cost
- Heavy duty design projects 3.95" from mounting surface
- Polarized and color coded in service configuration for easy identification of airlines
- Includes 10028 Dual Lip Seal, 10035 Filter and loose 3/8" or 1/2" plug



PART #	DESCRIPTION
11440	Service; 3/8-18 Ports
11441	Emergency; 3/8-18 Ports
11444	Service; 1/2-14 Ports
11445	Emergency; 1/2-14 Ports

### QRG (QUICK RELEASE GLADHAND)

- Unique patented design with built-in quick release valve
- Heavy Duty aluminum body and steel face
- Zinc yellow dichromate steel and chromate conversion coated aluminum
- Improves brake release timing by up to 67%
- Replaces service gladhands on the nose of the trailer



Nipple Mount



Bracket Mount

PART #	DESCRIPTION
11483	Nipple Mount
11484	40° Bracket Mount
RN58A	Repair Kit

## Gladhand Grips

- Color-coded plastic handle
- Stainless steel screws
- Non-slip hex-shaped body is made from a high-impact UV-resistant polymer (shatter-proof)
- Inside edges are beveled which eliminates the hose-chafing sharp edge common in other designs



**PART # 11405**  
(pair - one red/one blue)

## Reservoirs

### SADDLE-MOUNTED, SINGLE COMPARTMENT

- Long life internal and external corrosion protection
- Conform to SAE J10B specs
- Certified to 150 PSI working pressure.
- 1/4" drain port in bottom
- Two 3/8" charging ports, one each end.



PART #	DESCRIPTION
19810	1425 Cu. In. Volume; (1) 3/4" Valve Mounting Port; 8" Diameter; Mounting Center 32"
19820	2865 Cu. In. Volume; (2) 3/4" Valve Mounting Ports; 12" Diameter; Mounting Center 29 1/2"
19840	1490 Cu. In. Volume; (2) 3/4" Valve Mounting Ports; 9 1/2" Diameter; Mounting Center 27 1/2"

## Coiled Air Hoses

- Coiled, 1/2" O.D., reinforced nylon tubing
- Excellent coil memory and durability
- Color coding (red-emergency / blue-service); Meets SAE J844 and DOT FMVSS 106
- 1/2" NPT each end
- Male pipe - brass fittings; heavy duty plated spring guards
- Designed for 150 PSI operating systems
- Resistant to attack by gasoline, diesel fuel, methyl-alcohol and zinc chloride
- Working temperature range is -40°F to +199°F
- Sets include one red and one blue coil



PART #	DESCRIPTION
11950	12'; 6" Lead
11952	15'; 12" Lead
11954	15'; (1) 48" Lead; (1) 12" Lead
11956	20'; (1) 48" Lead; (1) 12" Lead

Additional information is available in the Haldex Master Catalog ([www.haldex.com](http://www.haldex.com)).

# Air Hoses

## AIR HOSE ASSEMBLIES 3/8" I.D. x 3/4" O.D.

- Type B - permanent fittings
- Made in strict accordance with SAE J1402 and DOT 106 specifications

### PART #

1/4" Ends One Fixed One Swivel	3/8" Ends Both Ends Swivel	3/8" Ends One Fixed One Swivel
16014 - 14"	16418 - 18"	16618 - 18"
16016 - 16"	16420 - 20"	16620 - 20"
16018 - 18"	16424 - 24"	16622 - 22"
16020 - 20"	16428 - 28"	16624 - 24"
16022 - 22"	16430 - 30"	16626 - 26"
16024 - 24"	16436 - 36"	16628 - 28"
16026 - 26"	16442 - 42"	16630 - 30"
16028 - 28"	16448 - 48"	16632 - 32"
16030 - 30"	16460 - 60"	16634 - 34"
16032 - 32"		16636 - 36"
16034 - 34"		16438 - 38"
16036 - 36"		16640 - 40"
16038 - 38"		16642 - 42"
16040 - 40"		16644 - 44"
16042 - 42"		16646 - 46"
16044 - 44"		16648 - 48"
16046 - 46"		16654 - 54"
16048 - 48"		16660 - 60"
16054 - 54"		16672 - 72"
16060 - 60"		
16072 - 72"		

## AIR HOSE ASSEMBLIES 1/2" I.D. x 7/8" O.D.

- Type B - permanent fittings
- Made in strict accordance with SAE J1402 and DOT 106 specifications
- Hose rack - **Part # 200997B**
- Assortment with hose rack - **Part #DQ16002**

### PART #

3/8" Ends One Fixed One Swivel	3/8" Ends Both Ends Swivel	One 1/2" Fixed End One 3/8" Swivel End
16316 - 16"	16718 - 18"	16820 - 20"
16318 - 18"	16720 - 20"	16824 - 24"
16320 - 20"	16722 - 22"	16830 - 30"
16322 - 22"	16724 - 24"	16836 - 36"
16324 - 24"	16726 - 26"	16848 - 48"
16326 - 26"	16728 - 28"	16860 - 60"
16328 - 28"	16730 - 30"	16872 - 72"
16330 - 30"	16732 - 32"	
16332 - 32"	16734 - 34"	
16334 - 34"	16736 - 36"	
16336 - 36"	16738 - 38"	
16338 - 38"	16740 - 40"	
16340 - 40"	16748 - 48"	
16342 - 42"	16756 - 56"	
16344 - 44"	16772 - 72"	
16346 - 46"		
16348 - 48"		
16352 - 52"		
16354 - 54"		
16356 - 56"		
16360 - 60"		

## 3-IN-1 AIR POWER LINE

- Power Line is fully ABS compatible.
- Improved kink resistance versus coiled hoses, particularly in cold weather
- Air lines have factory crimped swivel fittings at tractor end for quick installation
- Stainless steel hanger bracket mounting assembly included for easy suspension
- Red and blue hose grips for easy identification and gladhand connection

### PART #

BE27107	- 10'
BE27127	- 12'
BE27157	- 15'
BE27207	- 20'
11615	- Stainless Steel Hanger



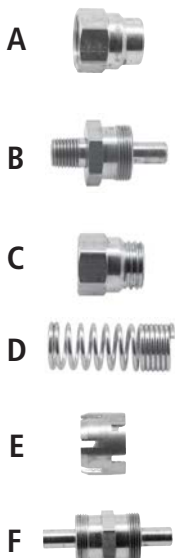
Service Air Line - SAE J1402 Rubber  
 Emergency Air Line - SAE J1402 Rubber  
 ABS Power Line (Green) - Flexible in Cold Weather  
 Enclosed in Heavy Duty, Bevelled Edge Spiral Wrap

# Air Hose Fittings and Accessories

## HOSE END FITTINGS - USE WITH BULK 3/8" I.D. HOSE

### PART #

- 11906 (A) Nut (for fitting without spring)
- 11907 (B) Body; 1/4-NPT
- 11908 (B) Body; 3/8-NPT
- 11909 (B) Body; 1/2-NPT
- 11910 (C) Nut (for fitting with spring)
- 11911 (D) Spring
- 11912 (E) Ferrule
- 11914 (F) Union Fitting Body



## RENEWABLE HOSE END FITTING ASSEMBLIES - USE WITH 3/8" I.D. HOSE

### PART #

- 11900 (A) 1/4-NPT Male End with Spring
- 11901 (A) 3/8-NPT Male End with Spring
- 11902 (A) 1/2-NPT Male End with Spring
- 11903 (B) 1/4-NPT Male End without Spring
- 11904 (B) 3/8-NPT Male End without Spring
- 11905 (B) 1/2-NPT Male End without Spring
- 11913 (C) Hose Union



## AIR LINE FILTER ASSEMBLIES

- Removable and replaceable filter element
- Can be used in both emergency/service lines

### PART #

- 11480 Complete Assembly
- N12971B Replacement Filter
- RN13A Repair Kit



## Accessories

### FLEXASTIKS

- OE hose support pogo sticks
- Available with spring only, or with various mounting items



### ZINC DICHROMATE

PART #	LENGTH	HOSE CLAMP	SUPPORT BRACKET	HOSE RING
11500	41"	11547	-	-
11501	41"	11547	11403	-
11502	41"	-	-	11611
11503	41"	-	11403	11611
11504	51"	11547	-	-
11505	51"	11547	11403	-
11506	51"	-	-	11611
11507	51"	-	11403	11611
11508	41"	-	-	-
11509	51"	-	-	-

### SUPPORT SPRINGS

#### ZINC DICHROMATE FINISH

PART #	DESCRIPTION
11600	25 1/2"; 1 1/8" Coil O.D.
11601	13"; 3/4" Coil O.D.
11602	13"; 1" Coil O.D.
11603	16"; 1 1/16" Coil O.D.



### HOSE SEPARATORS

- Molded White (EGC) Engineering Grade Composite
- Snap Connect



PART #	DESCRIPTION
11548	For 3/8" I.D. Hose
11549	For 1/2" I.D. Hose

### HOSE COUPLER WITH CHAIN

- Zinc & Yellow Dichromate Body



**PART # 11401** (w/vent hole) **PART # 11403**  
**PART # 11402** (w/o vent hole)

### HOSE SUPPORT BRACKET

- For Current Design Flexastiks



### HOSE CLAMPS

**PART # 11540**  
2-Hole; 3/8" I.D.



**PART #11541**  
2-Hole; 3/8" I.D.; Rubberized For Coiled Airlines



**PART # 11542**  
3-Hole; 3/8" I.D.



**PART #11543**  
3-Hole; 3/8" I.D.



**PART # 11544**  
3-Hole; 3/8" I.D.; Rubberized For Coiled Airlines



**PART #11545**  
3-Hole; 3/8" & 1/2" I.D.



**PART # 11546**  
3-Hole; 3/8" & 1/2" I.D.



**PART #11547**  
3-Hole; 3/8" & 1/2" I.D.



**PART # 11611**  
Hose Ring Assembly; 3/8" & 1/2" I.D.



**PART # 11615**  
Stainless Steel Hanger, Use with Use with ABS Power Lines



# Manual Brake Adjusters

## MANUAL BRAKE ADJUSTERS - STRAIGHT ARM

- Forged steel
- 26,000 in. lbs.
- Bi-directional design
- Clevis Bushing Part #45210129



PART #	ARM LENGTH	SPLINE
KN44041	6.0	1 5/8" - 37
KN44051	5.0, 6.0	1 1/2" - 28
KN44061	5.5, 6.5	1 1/2" - 28
KN47001	5.0, 6.0, 7.0	1 1/2" - 10
KN47002	4.5, 5.5	1 1/2" - 10
KN47011	5.5, 6.5	1 1/2" - 10
KN47081	5.0, 6.0	1 1/2" - 10
KN48001	5.0, 6.0	1 1/4" - 10
KN48031	4.5, 5.5	1 1/4" - 10
KN52040	4.0, 5.0	1 1/4" - 40
KN52050	5.5	1 1/2" - 48
KN52060	4.0, 5.0	1 1/2" - 48
KN55001	5.5	1 1/4" - 24

## MANUAL BRAKE ADJUSTERS - 5/8" OFFSET ARM

- Ductile iron
- 20,000 in. lbs.
- Right and left hand
- Clevis Bushing Part #45210129



PART #	ARM LENGTH	SPLINE
KN49000 RH	4.5, 5.5	1 1/4" - 10
KN49010 LH	4.5, 5.5	1 1/4" - 10
KN49020 RH	4.0, 5.0, 6.0	1 1/4" - 10
KN49030 LH	4.0, 5.0, 6.0	1 1/4" - 10
KN50000 RH	4.5, 5.5	1 1/2" - 10
KN50010 LH	4.5, 5.5	1 1/2" - 10
KN50060 RH	4.0, 5.0, 6.0	1 1/2" - 10
KN50070 LH	4.0, 5.0, 6.0	1 1/2" - 10
KN53000 RH	5.0, 6.0	1 1/2" - 28
KN53010 LH	5.0, 6.0	1 1/2" - 28
KN53020 RH	5.5	1 1/2" - 28
KN53030 LH	5.5	1 1/2" - 28
KN54000 RH	5.5	1 1/4" - 24
KN54010 LH	5.5	1 1/4" - 24

# Automatic Brake Adjuster Quick-Reference Guide

Application	Spline	Arm Length	ABA Kit Part #	Anchor Bracket Style	S-ABA Kit Part #
Standard Application Tractor	1 1/2" - 28	6.0	40010140	Strap	40020234
	1 1/2" - 28	5.5	40010141	Strap	40020231
	1 1/2" - 10	5.0, 6.0	40010142	Strap	40020233
	1 1/2" - 10	5.5	40010143	Strap	40020228
Mack Truck Applications (with 3" and longer camshaft tubes)	1 1/2" - 28	6.0	40010144	Clamp	40020243
	1 1/2" - 28	6.0	40010067*	Spider Mounted	n/a
	1 1/2" - 28	5.5	40010146	Clamp	n/a
	1 1/2" - 10	6.0	40010145	Clamp	40020244
Meritor Air Disc Brake	1 1/2" - 28	5.5	40010402	Strap	n/a
	1 1/2" - 10	6.0	40010637	Strap	n/a
Kenworth with 8 Bag Air Ride (to avoid interference with air bag supports)	1 1/2" - 28	5.5	40010156	Strap	n/a
	1 1/2" - 10	5.5	40010155	Strap	40020238
Trailer	1 1/2" - 28	6.0	40010212	Plate & Flat Stud	40020212
	1 1/2" - 28	5.5	40010211	Plate & Flat Stud	40020211
	1 1/2" - 10	6.0	40010216	Plate & Flat Stud	40020216
	1 1/2" - 10	5.5	40010215	Plate & Flat Stud	40020215
	1 5/8" - 37	5.5	40010213	Plate & Flat Stud	40020213
	1 5/8" - 37	6.0	40010214	Plate & Flat Stud	40020214

\*For short camshaft tube Mack, 2" or less.



## Haldex AA1 Automatic Brake Adjuster

- Installation indicator confirms correct installation
- Chrom-moly gears and a buttress tooth configuration on the gears reduce stress and prolong service life
- Compatible with all major brand clevises
- Heat treated components reduce internal wear and provide longer service life
- 1,000,000 Mile, 6 year on-highway warranty



PART #	ARM LENGTH	SPLINE	ANCHOR BRACKET STYLE	PART #	ARM LENGTH	SPLINE	ANCHOR BRACKET STYLE
40010067*	6.0	1 1/2" - 28	Spider Mounted	40010155	5.5	1 1/2" - 10	Strap
40010140	5.0, 6.0	1 1/2" - 28	Strap	40010156	5.5	1 1/2" - 28	Strap
40010141	5.5	1 1/2" - 28	Strap	40010211	5.5	1 1/2" - 28	Plate & Flat Stud
40050003	6.5	1 1/2" - 28	Strap	40010212	6.0	1 1/2" - 28	Plate & Flat Stud
40010142	5.0, 6.0	1 1/2" - 10	Strap	40010213	5.5	1 5/8" - 37	Plate & Flat Stud
40010143	5.5	1 1/2" - 10	Strap	40010214	6.0	1 5/8" - 37	Plate & Flat Stud
40050004	6.5	1 1/2" - 10	Strap	40010215	5.5	1 1/2" - 10	Plate & Flat Stud
40010144**	6.0	1 1/2" - 28	Clamp	40010216	6.0	1 1/2" - 10	Plate & Flat Stud
40010145	6.0	1 1/2" - 10	Clamp	40010402	5.5	1 1/2" - 28	Strap
40010146	5.5, 6.5	1 1/2" - 28	Clamp	40010637	6.0	1 1/2" - 10	Strap

\* For short camshaft tube Mack, 2" or less.

\*\* For Mack Truck with 3" and longer camshaft.

## Haldex S-ABA Automatic Brake Adjuster

- Incorporates AA1 High Standard Features. Plus Centralized Clutch and Unique Self-Setting Design

PART #	ARM LENGTH	SPLINE	ANCHOR BRACKET STYLE	BRACKET PART #
40020211	5.5	1 1/2" - 28	Plate & Flat Stud	42710563
40020212	6.0	1 1/2" - 28	Plate & Flat Stud	42710563
40020213	5.5	1 5/8" - 37	Plate & Flat Stud	42710563
40020214	6.0	1 5/8" - 37	Plate & Flat Stud	42710563
40020215	5.5	1 1/2" - 10	Plate & Flat Stud	42710563
40020216	6.0	1 1/2" - 10	Plate & Flat Stud	42710563
40020228	5.5	1 1/2" - 10	Strap	42710543
40020231	5.5	1 1/2" - 28	Strap	42710553
40020233	6.0	1 1/2" - 10	Strap	42710553
40020234	6.0	1 1/2" - 28	Strap	42710553
40020238	5.5	1 1/2" - 10	Strap	42710554
40020243	6.0	1 1/2" - 28	Clamp	42710566
40020244	6.0	1 1/2" - 10	Clamp	42710566



S-ABA allows the control arm to be set at any angle from minus 16 to 124 degrees.

Consult the Haldex Master Catalog ([www.haldex.com](http://www.haldex.com)) for a complete listing of Brake Adjusters offered.

# New and Remanufactured Water Pumps

## CATERPILLAR ENGINE - 3208

· Bolt On Pulley

PART #	DESCRIPTION
RW1162	New
RW1162RX	Reman CoreFree™
RW1162X	Reman



## CUMMINS ENGINE - BIG CAM III

· Multi-Groove Pulley

PART #	DESCRIPTION
RW1170	New
RW1170RX	Reman CoreFree™
RW1170X	Reman



## CATERPILLAR ENGINE 3406 B/C

· Flat Gear

PART #	DESCRIPTION
RW1194	New
RW1194BPK	Back Plate Kit
RW1194PRX	Premium Reman CoreFree™
RW1194PX	Premium Reman



## CUMMINS ENGINE - SMALL CAM

· 2-Groove Pulley

PART #	DESCRIPTION
RW1171	New
RW1171RX	Reman CoreFree™
RW1171X	Reman



## CHEVY/GMC - 1999-2006 5.3, 6.0, 6.2L

· Light/Medium Duty Engine

PART #	DESCRIPTION
RW1652	New



## CUMMINS ENGINE - BIG CAM IV

· Multi-Groove Pulley

PART #	DESCRIPTION
RW1172	New
RW1172RX	Reman CoreFree™
RW1172X	Reman



## CHEVY/GMC - 2007-2013 5.3, 6.0, 6.2L

· Light/Medium Duty Engine

PART #	DESCRIPTION
RW1939	New



## CUMMINS IDLER - BIG CAM

· Multi-Groove Pulley

PART #	DESCRIPTION
RW1173	New
RW1173RX	Reman CoreFree™
RW1173X	Reman



# New and Remanufactured Water Pumps

## CUMMINS IDLER - SMALL CAM

• 2-Belt Pulley

PART #	DESCRIPTION
RW1175	New
RW1175RX	Reman CoreFree™
RW1175X	Reman



## DODGE - 1994-2003 5.9, 5.7L

• Includes Bypass Tube

PART #	DESCRIPTION
RW1438	New



## CUMMINS 2007 ISB

PART #	DESCRIPTION
RW2060	New



## DODGE - 2003-2008 5.7

PART #	DESCRIPTION
RW181747	New



## CUMMINS KIT - BIG CAM

PART #	DESCRIPTION
RW3000	New Water Pump/Idler Kit



## FORD 1997-2013 4.6; 5.4L

• Light/Medium Duty Engine

PART #	DESCRIPTION
RW1694	New



## DDC - 60 SERIES

• Gear Driven; Premium Seal

PART #	DESCRIPTION
RW4122PLK	Plastic Backing Plate Kit
RW4122STK	Steel Backing Plate Kit
RW4123PRX	Premium Reman CoreFree™
RW4123PX	Premium Reman
RW4123RX	Reman CoreFree™
RW4123X	Reman



**ISUZU, MACK, MERCEDES AND NAVISTAR ON NEXT PAGE.**

# New and Remanufactured Water Pumps

## ISUZU 1992-1998 NPR 3.9L

- Without Bypass Tube

PART #	DESCRIPTION
RW1907	New



## MERCEDES - MBE904 4.8L, MBE902 4.3L

- Bus

PART #	DESCRIPTION
RW2044	New



## ISUZU 1987-1991 NPR 4BD2

- With Bypass Tube

PART #	DESCRIPTION
RW1908	New



## NAVISTAR ENGINE - DT466

- Belt driven

PART #	DESCRIPTION
RW1310X	Reman
RW6313	New



## MACK ENGINE - MAXIDYNE

- 1.57" Long Shaft; No Pulley

PART #	DESCRIPTION
RW2001	New
RW2001X	Reman



## NAVISTAR ENGINE Maxxforce 9.0L, 10.0L

PART #	DESCRIPTION
RW2052	New



## MACK ENGINE - ECONODYNE

- Charged Air; No Pulley

PART #	DESCRIPTION
RW2002	New
RW2002X	Reman



Haldex offers a complete line of New and Remanufactured Water Pumps. Please consult the Haldex Master Catalog ([www.haldex.com](http://www.haldex.com)) for a detailed listing of the water pump product offering.

# ABS (Anti-Lock Braking System) Valves

## 2S/1M ABS RELAY VALVE KIT

### Dollies and Single Axle Applications

#### PART # AQ960505

- ABS Relay Valve (2 Port, 12V, 1/2" Res., 3/8" Cont., 3/8" Del.)
- ECU Design PLC Select
- 6.0m Power Cord Extensions
- 2.5m 90° Sensors and Clips



## 2S/1M FFABS VALVE KITS

### Multi-Axle Applications

- New trailer placement; non-steer axles
- Pre-installed reservoir nipple nut feature assures easy serviceability
- ECU and ABS Valve are designed to be serviced separately
- 4-Port Valve: 3/4" Nipple; 12V; 3/8" Ports; Spring Brake Priority



**AQ960208 Shown**

PART #	DESCRIPTION
AQ960208	20x12m Power Cord; 2.5m Full 90° Sensors and Clips
AQ960802	20x12m Power Cord; ABS Light Kit; 2.5m Sensor Ext.
AQ961402	2.5m Sensor Extensions
AQ961404	6.0m Power Cord Extension; 2.5m Sensor Extensions

## 4S/2M ABS RELAY OR FFABS VALVE KIT

### New Trailer Build Solutions

- ECU and ABS Valve are designed to be serviced separately
- ECU Design - PLC Select 2M



**AQ963005 Shown**

PART #	DESCRIPTION
AQ963004	2-Port ABS Relay Valve; Tandem Axles; 1/2" Res. Port; 12V; 3/8" Cont.; 3/8" Del.; 6m Power Cord Ext.; 1.5m and 2.5m Sensor Extensions
AQ963005	6-Port ABS Relay Valve; Tri-Axles; 1/2" Res. Port; 12V; 3/8" Cont.; 3/8" Del.; 6m Power Cord Extension; 2m and 3m Sensor Extension
AQ963013	4-Port FFABS Valve; Tri-Axles; 3/4" Nipple; 12V; 3/8" Ports; Spring Brake Priority
AQ963014	2-Port FFABS Valve; Tandem Axles; 3/4" Nipple; 12V; 3/8" Ports; Spring Brake Priority

## 2S/1M RELAY VALVE KITS

### Multi-Axle Applications

- Competitive replacement
- For non-steer axles
- Cost effective solution for competitive system change-out
- ECU and ABS Valve designed to be serviced separately



**AQ960503 Shown**

**6-Port ABS Relay Valve:** 1/2" Res. Port, 12V, 3/8" Control, 3/8" Delivery

#### 2S/1M 6-Port Multi-Axle Kit

PART #	DESCRIPTION
AQ960503	6.0m Power Cord Extension; 3.0m Sensor Extensions

#### 2S/1M 6-Port Tandem Spring Suspension Kit

PART #	DESCRIPTION
AQ960510	6.0m Power Cord Extension; 2.0m Sensor Extensions

**4-Port ABS Relay Valve:** 1/2" Res. Port, 12V, 3/8" Control, 3/8" Delivery, Special Mounting Bracket

#### 2S/1M 4-Port Tandem Air Ride Suspension Kit

PART #	DESCRIPTION
AQ960514	6.0m Power Cord Extension; 2.5m Sensors and Clips; All Miscellaneous Hardware Required

#### 2S/1M 4-Port Multi-Axle Kit

PART #	DESCRIPTION
AQ960515	6.0m Power Cord Extension; 2.5m Sensors and Clips

# ABS (Anti-Lock Braking System) Valves

## 4S/2M ABS KITS

### Primarily Competitive Change-Out

- Cost effective solution for competitive system change-out
- ECU and ABS Valve are designed to be serviced separately



PART #	DESCRIPTION
AQ963002	4-Port Valve; Dual Nipple 1/2" and 3/4"; 12V; 3/8" Ports; Spring Brake Priority; 2 Port Relay Valve and Associated Cables and Accessories Included.
AQ963011	2-Port Valve; Dual Nipple 1/2" and 3/4"; 12V; 3/8" Ports; Spring Brake Priority; 2 Port Relay Valve and Associated Cables and Accessories Included.

## ABS RELAY VALVE

### 2-Port and 6-Port Delivery



AL364040  
Shown

### 2-Port Delivery

#### Single Axle Applications (2S/1M or 4S/2M)

PART #	DESCRIPTION - 2-Port Delivery
AL364040	1/2" Reservoir Mount; 12V; 3/8" Ports
AL364045	1/2" Frame Mount; 12V; 3/8" Ports
AL364080	1/2" Reservoir Mount; 24V; 3/8" Ports

### 6-Port Delivery

#### Multiple Axle Applications (2S/1M);

#### Three or More Axles (4S/2M)

PART #	DESCRIPTION - 6-Port Delivery
AL364041	1/2" Reservoir Mount; 12V; 3/8" Ports
AL364046	1/2" Frame Mount; 12V; 3/8" Ports

## FFABS

### 2-Port and 4-Port Delivery



AL430614  
Shown

### 2-Port Delivery Single Axle Applications (2S/1M or 4S/2M)

PART #	DESCRIPTION
AL430644	1/2" & 3/4" Nipple; 12V; 3/8" Ports Service Brake Priority
AL430664	1/2" & 3/4" Nipple; 12V; 3/8" Ports Spring Brake Priority
AL430670	1/2" & 3/4" Nipple; 12V; 3/8" Ports Spring Brake Priority (4-SB Port)
AL430672	1/2" & 3/4" Nipple; 12V; 3/8" Ports Service Brake Priority (4-SB Port)

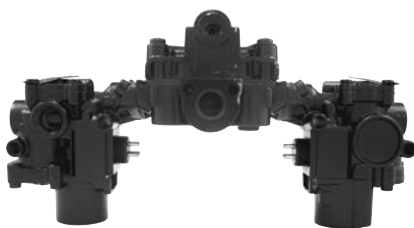
### 4-Port Delivery

#### Multiple Axle Applications (2S/1M)

#### Three or More Axles (4S/2M)

PART #	DESCRIPTION
AL430614	1/2" & 3/4" Nipple; 12V; 3/8" Ports Service Brake Priority
AL430620	1/2" Nipple; 24V; 3/8" Ports Service Brake Priority
AL430624	1/2" & 3/4" Nipple; 12V; 3/8" Ports Spring Brake Priority
AL430666	1/2" & 3/4" Nipple; 12V; 3/8" Ports Spring Brake Priority (4-SB Port)
AL430668	1/2" & 3/4" Nipple; 12V; 3/8" Ports Service Brake Priority (4-SB Port)





# Meritor WABCO Style Remanufactured ABS Truck Valves



Part#	Description	Truck/Tractor/Bus Application
4725001000X	Remanufactured Rear Axle Valve Pack	Tandem Drive Axle
4721950050X	Remanufactured Modulator Valve	In Line Style - Screw-In
4721950520X	Remanufactured Modulator Valve	In Line Style - Bayonet
9730110210X	Remanufactured Service Brake Relay Valve for Valve Pack	Rear Axle ABS

# Meritor WABCO Style Remanufactured Trailer/Dolly Valves

## LIKE-NU<sup>®</sup> MERITOR WABCO ENHANCED EASY-STOP<sup>™</sup> TRAILER ABS VALVES AND ECU'S ABS Valve and ECU Included Trailer and Dollie Applications Built After 3/01

Haldex Part Number	Description	Control Port	Delivery Port	Supply Port	Exhaust Port	
4005001010KX	WABCO 2S/1M Trailer ABS Assembly 89646062752K Cable Included 12 V; Standard Trailers Core Group: ABS20	3/8 - 18	3/8 - 18	3/4 - 14	Not Threaded	
4005001010X	WABCO 2S/1M Trailer ABS Assembly 12V; Standard Trailers Core Group: ABS20	3/8 - 18	3/8 - 18	3/4 - 14	Not Threaded	
4005001020X	WABCO 2S/2M Trailer ABS Assembly Dual Modulator Valve 12 V; Standard Trailers Core Group: ABS21	1/4 - 18	3/8 - 18	3/4 - 14	Not Threaded	
4005001030X	WABCO 2S/2M-4S/2M-4S/3M Trailer ABS Assembly; Dual Modulator Valve 12 V; Multi-Configuration Core Group: ABS21	1/4 - 18	3/8 - 18	3/4 - 14	Not Threaded	
4005001040X	WABCO 2S/1M Trailer ABS Assembly 12 V; Turntables, Steerables and Dollies Core Group: ABS20	3/8 - 18	3/8 - 18	3/4 - 14	Not Threaded	
4008506020X	VALVE ONLY for 4005001020X and 4005001030X assemblies.	1/4 - 18	3/8 - 18	3/4 - 14	Not Threaded	
4721950330X	VALVE ONLY for 4005001010KX, 4004001010X and 4005001040X	3/8 - 18	3/8 - 18	3/4 - 14	Not Threaded	
8946062752K	WABCO Trailer ABS Modulator Valve Cable Connects 1M ECU to Relay Valve .5 Meter Length Right Angle Valve Connector 1.65"					

# Meritor WABCO Style Remanufactured ABS Truck/Tractor/Bus Valves

## Quick Release Valve For Valve Packs

### SPECIFICATIONS

Application Front Axle ABS Valve Packs

### NOTES

Each individual valve includes:  
(2) O-Rings, (4) Mounting Bolts and Grease Pack.



Haldex Part Number	Description	Crack Pressure	System Config.	Connector Type	Core Group
9735001040X	Quick Release Valve For Valve Pack	1 psi	All Steer Axle	1/2" - 14 NPTF	ABS12
9735001050X	Quick Release Valve For Valve Pack	3 - 4 psi	All Steer Axle	1/2" - 14 NPTF	ABS12
9735001060X	Quick Release Valve For Valve Pack	6 - 8 psi	All Steer Axle	1/2" - 14 NPTF	ABS12

## Meritor WABCO Style ATC Valve

### SPECIFICATIONS

Voltage 12V  
Application Rear Axle ABS Valve Packs

### NOTES

Compatible with D & E versions of Meritor WABCO Style ECUs



Screw-In



Bayonet



Haldex Part Number	Description	Connector Type	Core Group
4721707910X	Automatic Traction Control Valve For Valve Pack	Screw-In	ABS15
4721707970X	Automatic Traction Control Valve For Valve Pack	Bayonet	ABS15

## Meritor WABCO Style Converter Cables



Haldex Part Number	Description	Length
8946011322K	Meritor WABCO Style Converter Cable	Bayonet to Screw-In Converter - 6"
8946011332K	Meritor WABCO Style Converter Cable	Screw-In to Bayonet Converter - 6"



## Trailer Roll Stability (TRS) Applications

- 4S/2M ABS with Roll Stability Support
- ECU and Dual Modulator Valve Serviced Separately
- Integral Lateral Accelerometer to monitor Roll Stability
- Integral Control Line Filter
- Made of EGC material for light weight, durability and environmental protection
- Works with standard ABS Wheel Speed Sensors



AL833000 Valve  
and AL919337 ECU  
Shown

Part#	Description	Application
AL364429	TRS Info Center	July 2005 to Present Production, 12V, American Standard Units for TRS
AL833000	TRS Dual Modulator Valve	NPT Ports: Res 1/2"; Control 3/8"; Air Bag 3/8"; 6-Delivery 3/8"
AL919337	TRS ECU	12V with Three Auxiliary Ports
AQ15853	TRS PC Diagnostic Kit	12V; CD; Interface Cabling (PC not included)
AQ968302	TRS Premium Retrofit Kit	12V, TRS Components for Retrofit of existing 4S/2M ABS Installations
AQ968303	TRS Service Kit	Service Components for GEN 1 ECU (AL919329) and PLC Power Adapter (AL95691)
AQ968304	TRS Replacement Kit	Heil Special; TRS Components for Retrofit of existing 4S/2M ABS Installations

## Electronic Control Unit (ECU)

### PLC/Plus 19 Pin

- SLH-A7 ECU  
Multi-Axle (Non-Steer Axles)
- SLH-A8 ECU  
Single and Dolly Axles



PART #	DESCRIPTION
AL919311	PLC ECU - SLH-A7 - 19 Pin - 2 Keys-Diagonal
AL919312	PLC ECU - SLH-A8 - 19 Pin - 2 Keys-Across

### ECU Upgrade Kits

- Wheel speed sensor and Trailer power connects directly to ECU (no intermediate cables required)
- Single fastener design assures easy serviceability
- Potted ECU enclosure provides excellent protection from the environment



AQ964111  
Shown

PART #	DESCRIPTION
AQ960502	2S/1M A8 ECU Upgrade Kit; PLC Select ECU
AQ964110	2S/1M A7 ECU Upgrade Kit; PLC Select ECU
AQ964111	4S/2M ECU Upgrade Kit; 2M PLC Select ECU

### PLC Select 1M and 2M

- Wheel speed sensor and Trailer power connects directly to ECU (no intermediate cables required)
- Single fastener design assures easy serviceability
- Potted ECU enclosure provides excellent protection from the environment



AQ919338  
Shown

### PLC Select 1M supports all 2S/1M applications

PART #	DESCRIPTION
AL919336	PLC Select PLUS ECU - DIN 12V - SLH-A7 - Multi-Axle
AL919338	PLC Select 1M ECU - DIN 12V - SLH-A7 - Multi-Axle (Non-Steer Axles)
AL919339	PLC Select 1M ECU - DIN 12V - SLH-A8 - Dollies/Single Axle
AL919340	PLC Select 1M ECU - DIN 12V - SLH-A7 - Multi-Axle (Non-Steer Axles)
AL919341	PLC Select 1M ECU - DIN 12V - SLH-A8 - Dollies/Single Axle



AQ919342  
Shown

### PLC Select 2M supports 4S/2M and 2S/2M applications

PART #	DESCRIPTION
AL919342	PLC Select 2M ECU - DIN 12V - SLH-A7 - Multi-Axle

## Loom Assemblies

- ECU end has a 19 or 28-Pin connector that interfaces with matching connector on the ECU
- Trailer end includes 2 or 4 sensor leads and 1 or 2 valve leads depending on the ABS configuration and a power lead with industry 5-pin male connector



PLC 2S/1M Loom

**PRODUCTION from  
MARCH 2001 to Present**

PART #	DESCRIPTION
AL40900	2S/1M PLC - SLH-A7 - 19 Pin - 2 Keys-Diagonal
AL40901	2S/1M PLC - SLH-A8 - 19 Pin - 2 Keys-Across
AL40906	4S/2M PLC - 19 Pin - No Keys



PLC 4S/2M Loom

**Note:** PLC Plus platform discontinued. Upgrade to new technology with the ECU upgrade kits. **AQ964110** replaces AL40953 and AL40957. **AQ964111** replaces AL956100, AL956104 and AL956108.

## ABS Sensors, Kits, Blocks

### SENSORS WITH RETAINER CLIP

#### Sensor - 90° Body - With Clip

PART #	Length
AL10271914	1.6 Feet (0.5m)
AL364068	4.0 Feet (1.25m)
AL364069	5.0 Feet (1.75m)
AL364061	4.9 Feet (1.5m)
AL10271915	6.6 Feet (2m)
AL364070	7.0 Feet (2.25m)
AL364062	8.2 Feet (2.5m)
AL364071	9.0 Feet (3m)
AL364063	11.5 Feet (3.5m)
AL364053	13.1 Feet (4m)



#### Sensor - 90° Body - With Clip and Block

PART #	Length
AQ40213	6.6 Feet (2m)



#### Sensor - Straight Body - With Clip

PART #	Length
AL1027196	1.6 Feet (0.5m)
AL1027197	6.6 Feet (2m)
AL1027198	13.1 Feet (4m)

- NOTES:
1. Sensors supplied with **A59512309** Retainer Clip.
  2. Longer lengths may be used; secure excess to trailer.

### SENSOR ACCESSORIES

PART #	DESCRIPTION
A59512309	Sensor Block Retainer
A902700	Tractor/Trailer ABS Retainer
A920802	Sensor Block (Trailer)

### UNIVERSAL SENSOR EXTENSIONS

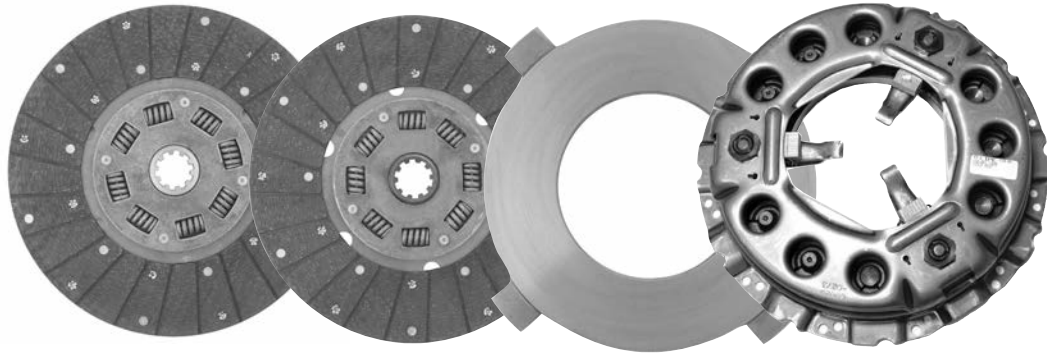
- ECU end has 2-Pin female connector
- Sensor end has 2-Pin male connector

PART #	Length
AL919800	1.6 Feet (0.5m)
AL919801	3.3 Feet (1m)
AL919802	4.9 Feet (1.5m)
AL919803	6.6 Feet (2m)
AL919804	8.2 Feet (2.5m)
AL919805	9.8 Feet (3m)
AL919806	11.5 Feet (3.5m)
AL919807	13.1 Feet (4m)
AL919808	16.4 Feet (5m)
AL919809	19.7 Feet (6m)
AL919810	26.2 Feet (8m)
AL919811	32.8 Feet (10m)



Haldex offers a complete line of ABS Power Cords, Extensions, Adapter Cables, Diagnostic Equipment and associated ABS Hardware. Please consult the Haldex Master Catalog ([www.haldex.com](http://www.haldex.com)) for our complete listing.

## Remanufactured Clutches - 13"



### LIPE PUSH TYPE CLUTCH - 13" SINGLE PLATE - FLAT FLYWHEEL

REMAN PACK #	COVER ASSEMBLY	DISC ASSEMBLY	DISC TYPE	SPLINE SIZE	MAX TORQUE	BOLT CIRCLE	APPLICATION
RC1933114X	RC3301933X	130-009-1802	DAMP ORGANIC	1.25" - 10T	350	14.125/14.625	NAVISTAR
RC1933117X	RC3301933X	130-009-1902	DAMP CERAMIC	1.25" - 10T	600	14.125/14.625	NAVISTAR
RC1933134X	RC3301933X	130-009-1135	DAMP ORGANIC	1.5" - 10T	350	14.125/14.625	PERKINS
RC1935136X	RC3301935X	330-009-1865	DAMP CERAMIC	1.5" - 10T	500	375mm/14.764	RENAULT
RC1938124X	RC3301938X	130-009-1803	DAMP ORGANIC	1.38" - 10T	350	14.125/14.625	FORD/DODGE
RC1938127X	RC3301938X	130-009-1903	DAMP CERAMIC	1.38" - 10T	350	14.125/14.625	FORD/DODGE
RC1938134X	RC3301938X	130-009-1135	DAMP ORGANIC	1.5" - 10T	350	14.125/14.625	CHEV/GMC
RC1938137X	RC3301938X	130-009-1904	DAMP CERAMIC	1.5" - 10T	500	14.125/14.625	CHEV/GMC
RC2077136X	RC3302077X	330-009-2078	DAMP CERAMIC	1.5" - 10T	500	14.125/14.625	CAT 3116/3126 ENG.

### LIPE PUSH TYPE CLUTCH - 13" TWO PLATE - 1.062 RECESS FLYWHEEL

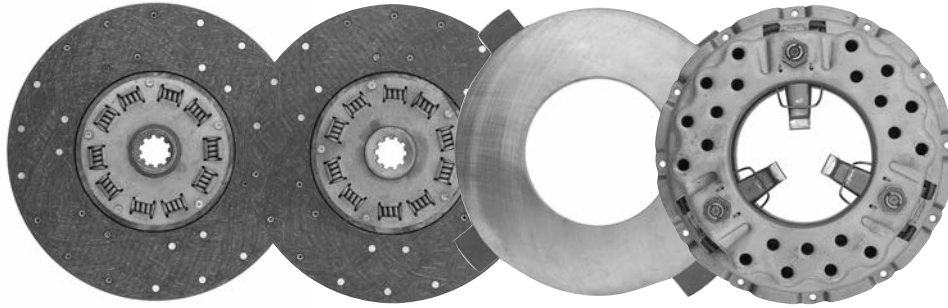
REMAN PACK #	COVER ASSEMBLY	DISC ASSEMBLY	DISC TYPE	INTER. PLATE	SPLINE SIZE	MAX TORQ.	BOLT CIRCLE	APPLICATION
RC1931134X	RC3301931X	130-009-1134 (FWS) 130-009-1135 (PPS)	DAMP ORG.	C025-0094	1.5" - 10T	350	14.125/14.625	CUMMINS
RC1931144X	RC3301931X	130-009-1136 (FWS) 130-009-1137 (PPS)	DAMP ORG.	C025-0094	1.75" - 10T	600	14.125/14.625	CUMMINS
RC1937134X	RC3301937X	130-009-1134 (FWS) 130-009-1135 (PPS)	DAMP ORG.	C025-0094	1.5" - 10T	600	14.125/14.625	CHEV/GMC CUMMINS
RC1989134X	RC3301989X	130-009-1134 (FWS) 130-009-1135 (PPS)	DAMP ORG.	C025-0094	1.5" - 10T	600	14.125/14.625	NAVISTAR FORD
RC1989138X	RC3301989X	130-009-1530 (FWS) 130-009-1531 (PPS)	DAMP CER.	C025-0094	1.5" - 10T	750	14.125/14.625	NAVISTAR FORD

### LIPE PUSH TYPE CLUTCH - 13" TWO PLATE - 1.478 RECESS FLYWHEEL

REMAN PACK #	COVER ASSEMBLY	DISC ASSEMBLY	DISC TYPE	INTER. PLATE	SPLINE SIZE	MAX TORQ.	BOLT CIRCLE	APPLICATION
RC1940132X	RC3301940X	130-006-0830	RIGID ORG.	C025-0096	1.5" - 10T	-	-	FORD GAS
RC1940136X	RC3301940X	130-009-1530 (FWS) 130-009-1531 (PPS)	DAMP CER.	C025-0096	1.5" - 10T	-	-	FORD GAS
RC1941134X	RC3301941X	130-009-1134 (FWS) 130-009-1135 (PPS)	DAMP ORG.	C025-0094	1.5" - 10T	600	14.500	CAT 3208

NOTE: Replacement Disc Assemblies Available in New Only.

## Remanufactured Clutches - 14"



### LIPE PUSH TYPE CLUTCH - 14" SINGLE PLATE - FLAT FLYWHEEL

REMAN PACK #	COVER ASSEMBLY	DISC ASSEMBLY	DISC TYPE	SPLINE SIZE	MAX TORQUE	BOLT CIRCLE	APPLICATION
RC1047604X	RC141047X	140-009-1027	DAMP ORGANIC	1.5" - 10T	500	15.500	CHEV/GMC/FORD
RC1086604X	RC141086X	140-009-1027	DAMP ORGANIC	1.5" - 10T	500	15.500	NAVISTAR
RC1686607X	RC141686X	140-009-2208	DAMP CERAMIC	1.5" - 10T	500	15.500	CHEV/GMC DIESEL
RC1686640	RC141686X	140-009-1998	DAMP CERAMIC	1.5" - 10T	500	15.500	CHEV/GMC GAS

### LIPE PUSH TYPE CLUTCH - 14" TWO PLATE - 1.062 RECESS FLYWHEEL

REMAN PACK #	COVER ASSEMBLY	DISC ASSEMBLY	DISC TYPE	INTER. PLATE	SPLINE SIZE	MAX TORQ.	BOLT CIRCLE	APPLICATION
RC1072604X	RC141072X	140-009-2355 (FWS) 140-009-2356 (PPS)	DAMP ORG.	C025-0100	1.5" - 10T	600	15.500	FORD
RC1072607X	RC141072X	140-009-2357 (FWS) 140-009-2208 (PPS)	DAMP CER.	C025-0100	1.5" - 10T	900	15.500	FORD

### LIPE PUSH TYPE CLUTCH - 14" TWO PLATE - 1.093 RECESS FLYWHEEL

REMAN PACK #	COVER ASSEMBLY	DISC ASSEMBLY	DISC TYPE	INTER. PLATE	SPLINE SIZE	MAX TORQ.	BOLT CIRCLE	APPLICATION
RC1067645X	RC141067X	140-009-2303 (FWS) 140-009-2304 (PPS)	DAMP ORG.	C025-0100	1.75" - 10T	1000	15.625	VARIOUS CRANE
RC1067646X	RC141067X	140-009-2299 (FWS) 140-009-2300 (PPS)	DAMP CER.	C025-0100	1.75" - 10T	1200	15.625	VARIOUS CRANE
RC1113604X	RC141113X	140-009-2212 (FWS) 140-009-2213 (PPS)	DAMP ORG.	C025-0100	1.75" - 10T	750	15.500	CHEV/GMC
RC1113606X	RC141067X	140-009-2210 (FWS) 140-009-2211 (PPS)	DAMP CER.	C025-0100	1.75" - 10T	1000	15.500	CHEV/GMC
RC1113649X	RC141113X	140-009-2303 (FWS) 140-009-2304 (PPS)	DAMP ORG.	C025-0100	1.75" - 10T	750	15.500	CATERPILLAR

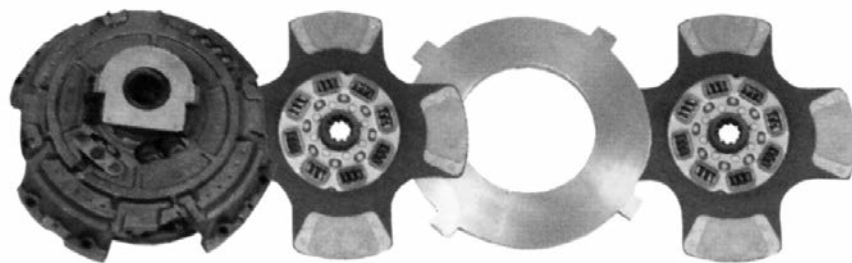
NOTE: Replacement Disc Assemblies Available in New Only. Rigid Discs Not Recommended.

## New/Remanufactured Clutches - 14" & 15 1/2"



### 14" TWO PLATE, 2.937" POT FLYWHEEL

NEW PACK #	REMAN PACK #	DISC TYPE	SPLINE SIZE	WEIGHT	SUGGESTED APPLICATION
HN10805059	RC390DCX	DAMP CERAMIC	2" - 10T	103 LBS.	VARIOUS
HN10803482	RC390DOX	DAMP ORGANIC	2" - 10T	105 LBS.	VARIOUS



### 15 1/2" TWO PLATE, FLAT FLYWHEEL

NEW PACK #	REMAN PACK #	DISC TYPE	SPLINE SIZE	WEIGHT	SUGGESTED APPLICATION
HN10839181	RC597DCX	DAMP CERAMIC	2" - 10T	137 LBS.	VARIOUS
HN10839182	RC597DOX	DAMP ORGANIC	2" - 10T	139 LBS.	VARIOUS
HN10839174	RC018EZC	10 SPRING CERAMIC	2" - 10T	143 LBS.	CAT 3406B DDA 60 SERIES
HN10893551	RC698EZC	9 SPRING CERAMIC	2" - 10T	146 LBS.	EARLY MACK LATE MACK
HN10892582	RC700EZC	7 SPRING CERAMIC	2" - 10T	142 LBS.	E6-E7 CUMMINS N-14

**Haldex offers a complete line of New and Remanufactured Clutches. Please consult the Haldex Master Catalog ([www.haldex.com](http://www.haldex.com)) for a detailed listing of the clutch products offered.**

Most Haldex Remanufactured Parts are also available in New and CoreFree®.  
Please consult the Haldex Master Catalog ([www.haldex.com](http://www.haldex.com)) for our complete listing.

## Remanufactured Alternators



RA121000X/RA122001X



RA228000X



RA403000X

### REMANUFACTURED DELCO ALTERNATORS

PART #	TYPE	VOLTAGE	AMPS	POLARITY	DELCO REMAN #
RA121000X	21-SI	12 V	100	Negative	10459013
RA122001X	22-SI	12 V	130	Negative	10459189

### REMANUFACTURED LEECE-NEVILLE ALTERNATORS

PART #	TYPE	VOLTAGE	AMPS	POLARITY	LEECE-NEVILLE MFG #
RA228000X	JB Series	14 V	160	Pos./Neg.	2800JB

### REMANUFACTURED MOTOROLA ALTERNATORS

PART #	TYPE	VOLTAGE	AMPS	POLARITY	MOTOROLA MFG #	NOTES
RA403000X	10-255 & 10-555	12 V	130	Insul.	8LHA2023V	Pos./Neg. Ground

## Remanufactured Delco Starters

PART #	TYPE	VOLTAGE	ROTATION	PINION TEETH	SWITCH POSITION	DELCO REMAN #
RS137000X	37-MT	12 V	CW	12	068°	10461089
RS140001X	40-MT	12 V	CW	11	052°	10461045
RS142001X	42-MT	12 V	CW	11	082°	10461052
RS142002X	42-MT	12 V	CW	12	082°	10461414



RS140001X



RS142001X

## Remanufactured Fan Clutches

### REMANUFACTURED HORTON FAN CLUTCHES

PART #	MODEL	ENGINE
RF790000X	Clutch S	Cummins NTC, NT, 444
RF790007X	Clutch S	Caterpillar 3406
RF790010X	Clutch S	Cummins L-10, NTC
RF791000X	Clutch HT/S	Cummins NTC, NT88, N14

### GOLD TOP® FAN CLUTCH REBUILD KITS

PART #	DESCRIPTION
RF14200K	2" Pilot; 2 Pulley Bearings
RF14256K	2.56" Pilot; 2 Pulley Bearings



Most Haldex Remanufactured Parts are also available in New and CoreFree®.  
Please consult the Haldex Master Catalog ([www.haldex.com](http://www.haldex.com)) for our complete listing.

## Remanufactured Lucas Girling Hydraulic Brake Calipers



### BENDIX® 2.88" Twin Piston - Chev/GMC/Navistar

CALIPER ONLY	LOADED KIT	SEMI-LOADED KIT	CASTING NUMBER	SHIM KIT	HARDWARE KIT
RH55250X	RH55250LLX (left) RH55250RLX (right)	RH55250SX	4150844	SK225K	RH5635K



### DAYTON 2.50" Twin Piston - Chev/GMC/Ford

CALIPER ONLY	LOADED KIT	SEMI-LOADED KIT	CASTING NUMBER	SHIM KIT	HARDWARE KIT
RH55251X	RH55251LX	RH55251SX	472	SK224K	RH5636K



### BENDIX® 2.60" Twin Piston - Navistar

CALIPER ONLY	LOADED KIT	SEMI-LOADED KIT	CASTING NUMBER	SHIM KIT	HARDWARE KIT
RH55314X	RH55314LX	RH55314SX	4151733	SK225K	RH5634K



REMANUFACTURED IN THE USA



Most Haldex Remanufactured Parts are also available in New and CoreFree®.  
Please consult the Haldex Master Catalog ([www.haldex.com](http://www.haldex.com)) for our complete listing.

## Air Control Valves



Sprague Compatible  
Part # RM1115001



Trico Compatible  
Part # RM1650001

## Air Wiper Motors



Part # RM2598001X

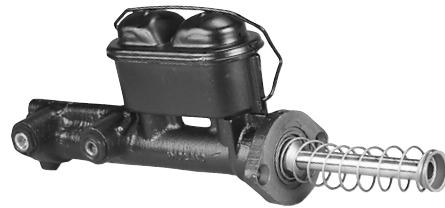


Part # RM3495001X

## Remanufactured Haldex/Competitive Master Cylinders and Vacuum Boosters



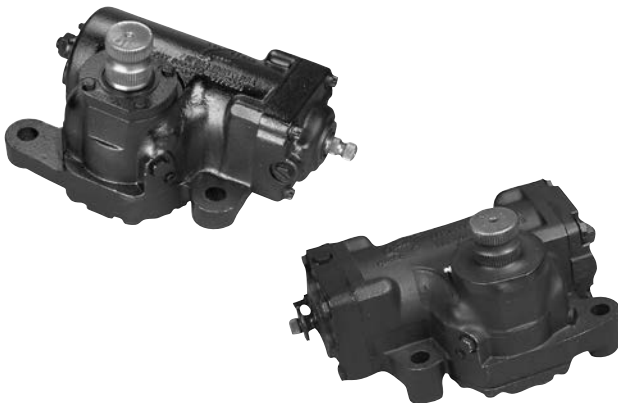
Bendix® Vacuum Booster  
Part # RV2503259X



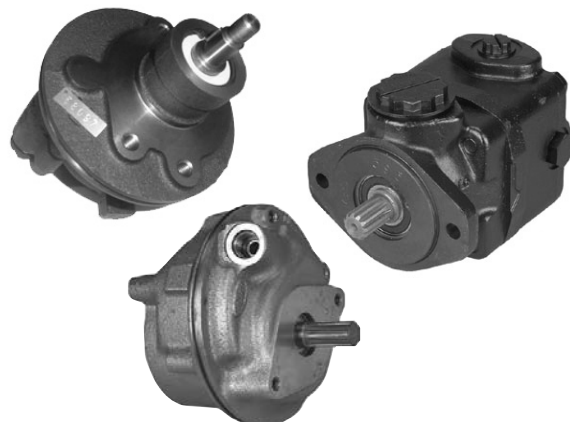
Midland Master Cylinder  
Part # RV350002X

## All Makes Remanufactured Steering Gears & Pumps

- For Caterpillar, Cummins, Detroit Diesel, Ford, General Motors, Mack, Navistar and Thermo-King Engines.



- Haldex offers TRW, Saginaw, Hobourn/Eaton, Vickers and Parker Hannifin.





# RSD COMPLETE FLEET SOLUTIONS



Manufactured to the highest standards, Haldex GR2015 and GG2020, are certified to meet or exceed RSD system requirements. Tests performed on official track at TRC (Transportation Research Center Inc.); field exercise executed by LINK Commercial Vehicle Testing.

Fleets today are under intense pressure to reduce costs. Simplifying inventory and improving product life cycles are two key ways they can achieve this. In most cases, using the same friction material on both the tractor and trailer helps aid in this process. However, this common sense practice was made cost prohibitive. RSD formulations being sold in the market today have a much higher acquisition cost. This, accompanied with the abrasive nature of many RSD friction materials, generates high wear characteristics which reduce the life of all contact parts.

The fact is, adding aggressive raw materials into a brake block mix so it will stop faster is substandard technology and the customer is the one who pays for it.

Formulating friction compounds that meet the demanding requirements of our industry is not easy. GR2015 and GG2020 offer the end user a Complete Fleet RSD friction solution. These materials are designed with both the tractor and trailer in mind. Reasonably priced, GR2015 and GG2020 are high quality legacy products that promote extended life cycles on brake related parts.

**Fleet and truck owners alike now have the answer to a very costly problem.**

Haldex RSD products are available in both New PROSteel™ and Remanufactured Shoes.

[www.haldex.com](http://www.haldex.com)  
+1 800-643-2374 - US  
+1 800-267-9247 - Canada



**Haldex**

## NHTSA Reduced Stopping Distance Regulations

Date of Implementation	Vehicle Type	Tractor GVWR (lbs)	New Stopping Distance - Unloaded	New Stopping Distance - Loaded	Old Stopping Distance - Unloaded	Old Stopping Distance - Loaded
August 1, 2011	3 Axle Tractor	Up to 59,600	235 ft.	250 ft.	335 ft.	355 ft.
August 1, 2013	3 Axle Tractor	59,600- 70,000	235 ft.	250 ft.	335 ft.	355 ft.
	3 Axle Tractor	Above 70,000	235 ft.	310 ft.	335 ft.	355 ft.
	2 Axle Tractor	Inclusive	235 ft.	250 ft.	335 ft.	355 ft.
	4+ Axle Tractor	Up to 85,000	235 ft.	250 ft.	335 ft.	355 ft.
	4+ Axle Tractor	Above 85,000	235 ft.	310 ft.	335 ft.	355 ft.

**GREY-ROCK™**

**RSD COMPLETE  
FLEET SOLUTIONS**

August 2011  
Regulations  
**250'**

Previous  
Regulations  
**355'**



\*Tested August 2014 at TRC.

### Haldex Legacy Products GR2015 and GG2020 Exceed New Requirements

- GR2015 and GG2020 have a proven history as the finest 20K & 23K friction materials in the industry.
- Using high quality phenolic resins and base materials enables GR & GG compounds to handle a variety of different applications and conditions.
- Designed for RSD Tractors and Current Trailer Configurations.
- FMVSS 121 Tested at an AL Factor of 165.
- Chase Proven FF coefficient of friction provides low fade, excellent recovery and extended life cycles on brake related parts.

**www.haldex.com**  
**+1 800-643-2374 - US**  
**+1 800-267-9247 - CAN**

L20733 US 11/14 5M ALP Printed In The USA



Grey-Rock™

**GM BRAKE BLOCK**

Friction Code . . . . . FF  
 Material Type . . . . . 2040 Semi-Metallic  
 Brake Type . . . . . "S" Cam  
 GAWR . . . . . 25,000 lbs.

**GP BRAKE BLOCK**

Friction Code . . . . . GG  
 Material Type . . . . . 2030 Organic  
 Brake Type . . . . . "S" Cam  
 GAWR . . . . . 26,000 lbs.

**GC BRAKE BLOCK**

Friction Code . . . . . FF/FF  
 Material Type . . . . . GG/GZ Semi-Metallic/Organic Combo  
 Brake Type . . . . . "S" Cam  
 GAWR . . . . . 23,000 lbs.

**GZ BRAKE BLOCK**

Friction Code . . . . . FF  
 Material Type . . . . . 2035 Semi-Metallic  
 Brake Type . . . . . "S" Cam  
 GAWR . . . . . 23,000 lbs.

**GG BRAKE BLOCK  
 RSD SYSTEMS COMPLIANT**

Friction Code . . . . . FF  
 Material Type . . . . . 2020 Organic  
 Brake Type . . . . . "S" Cam  
 GAWR . . . . . 23,000 lbs.

**GD BRAKE BLOCK**

Friction Code . . . . . FF  
 Material Type . . . . . 2016 Organic  
 Brake Type . . . . . "S" Cam  
 GAWR . . . . . 23,000 lbs.

**GR BRAKE BLOCK  
 RSD SYSTEMS COMPLIANT**

Friction Code . . . . . FF  
 Material Type . . . . . 2015 Organic  
 Brake Type . . . . . "S" Cam  
 GAWR . . . . . 20,000 lbs.

**GF BRAKE BLOCK**

Friction Code . . . . . FF  
 Material Type . . . . . 2008 Organic  
 Brake Type . . . . . "S" Cam  
 GAWR . . . . . 20,000 lbs.

**GN BRAKE BLOCK**

Friction Code . . . . . FF  
 Material Type . . . . . 2017 Organic  
 Brake Type . . . . . "S" Cam  
 GAWR . . . . . 20,000 lbs.

Economy Grade  
Friction

**HV76 BRAKE BLOCK**

Friction Code . . . . . FF  
 Material Type . . . . . HV76 Organic  
 Brake Type . . . . . "S" Cam Front Brake  
 GAWR . . . . . 20,000 lbs.

**HV77 BRAKE BLOCK**

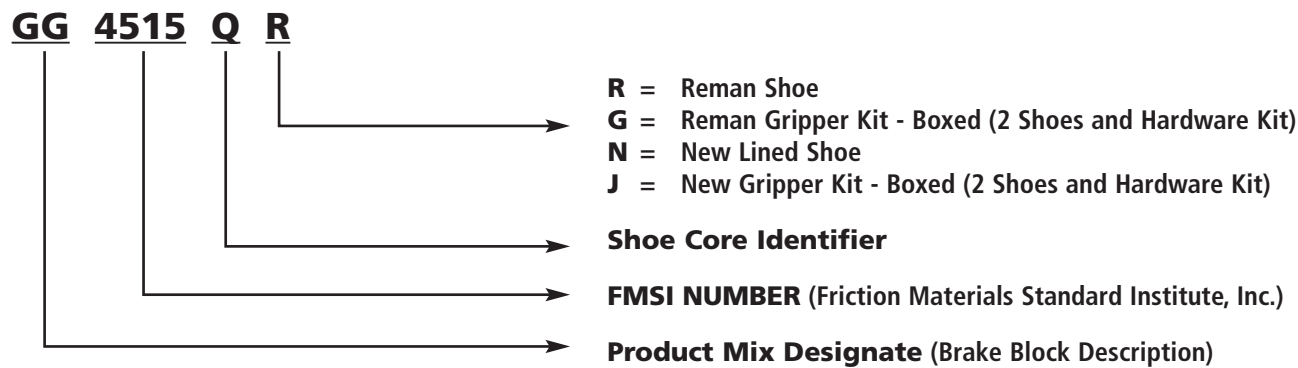
Friction Code . . . . . FF  
 Material Type . . . . . HV77 Organic  
 Brake Type . . . . . "S" Cam  
 GAWR . . . . . 20,000 lbs.

**HV88 BRAKE BLOCK**

Friction Code . . . . . FF  
 Material Type . . . . . HV88 Organic  
 Brake Type . . . . . "S" Cam  
 GAWR . . . . . 23,000 lbs.

Consult the Haldex Master Catalog ([www.haldex.com](http://www.haldex.com)) for a complete listing of Friction Products Offered.

## PART NUMBER FORMAT - Medium & Heavy Duty



### Brake Lining Descriptions

- AD, BD, CD, D, ED, Etc.** . . . . . = Lining Drill Pattern (Varies With F.M.S.I. #)
- B♦** . . . . . = Lining In Bulk (Follows Drill Pattern)
- X♦** . . . . . = Single Oversized Lining (Follows Drill Pattern)
- XX♦** . . . . . = Double Oversized Lining (Follows Drill Pattern)
- XXX♦** . . . . . = Triple Oversized Lining (Follows Drill Pattern)

♦Limited Availability

### Common Friction Words

- Anchor** . . . . . Refers to the anchor end of a piece of friction material.
- Cam** . . . . . Refers to the cam end of a piece of friction materials.
- Drill Pattern** . . . . . Dimensional data referring to holes in specific piece of friction material. The data will include the size, number and location of the holes for each FMSI #.
- FMSI** . . . . . Stands for "Friction Material Standard Institute".
- FMSI #** . . . . . Number assigned to a specific dimension of block that may include the radius, thickness, width, length and drill hole specifications.

# Eaton - Air/Single Web Brakes

## 15" x 4" Standard Steer Axle

- Rivet hole spacing across width (Center to Center) 2 3/4"
- Hardware Kit Part # **CQ66917**

Width	FMSI #	Shoe I.D.	Core Group
4"	1308	E	1308E



Relined Shoe	Relined-Gripper Kit With CQ66917	New Lined Shoe	New-Gripper Kit With CQ66917
GC1308ER	GC1308EG	GC1308EN	GC1308EJ
-	-	GF1308EN	GF1308EJ
GG1308ER	GG1308EG	GG1308EN	GG1308EJ
GR1308ER	GR1308EG	GR1308EN	GR1308EJ
HV761308ER	HV761308EG	HV761308EN	

## 15" x 4" Extended Service Steer Axle

- Rivet hole spacing across width (Center to Center) 2"
- Hardware Kit Part # **CQ66917**

Width	FMSI #	Shoe I.D.	Core Group
4"	1443	E	1443TD



Relined Shoe	Relined-Gripper Kit With CQ66917	New Lined Shoe	New-Gripper Kit With CQ66917
GC1443ER	GC1443EG	-	-
-	-	GF1443EN	GF1443EJ
GG1443ER	GG1443EG	GG1443EN	GG1443EJ
GR1443ER	GR1443EG	GR1443EN	GR1443EJ
HV761443ER	HV761443EG	HV761443EN	-

## 16 1/2" x 7" Low Mount

- Hardware Kit Part # **CQ67319**

Width	FMSI #	Shoe I.D.	Core Group
7"	4311	E	4311NS



Relined Shoe	Relined-Gripper Kit With CQ67319	New Lined Shoe	New-Gripper Kit With CQ67319
GC4311ER	GC4311EG	GC4311EN	GC4311EJ
GD4311ER	GD4311EG	GD4311EN	GD4311EJ
GF4311ER	GF4311EG	GF4311EN	GF4311EJ
GG4311ER	GG4311EG	GG4311EN	GG4311EJ
GM4311ER	GM4311EG	-	-
GN4311ER	GN4311EG	GN4311EN	GN4311EJ
GP4311ER	-	GP4311EN	-
GR4311ER	GR4311EG	GR4311EN	GR4311EJ
GZ4311ER	GZ4311EG	GZ4311EN	-

Consult the Haldex Master Catalog ([www.haldex.com](http://www.haldex.com)) for a complete listing of Friction Products Offered.

# Eaton - Air/Double Web and Cast Brakes

## 16 1/2" x 7" Eaton "ES"

- Uses extended wear lining, cam and hardware
- Retainer springs attach to tabs on table anchor end
- Single Anchor Pin
- Hardware Kit Part # **CQ65481**
- Hardware Kit Part # **CQ65444** available for steer axle



Width	FMSI #	Shoe I.D.	Core Group
7"	4709	ES	4709

Relined Shoe	Relined-Gripper Kit With CQ65481	New Lined Shoe	New-Gripper Kit With CQ65481
GC4709ESR	GC4709ESG	GC4709ESN	GC4709ESJ
GD4709ESR	GD4709ESG	GD4709ESN	GD4709ESJ
GF4709ESR	GF4709ESG	GF4709ESN	GF4709ESJ
GG4709ESR	GG4709ESG	GG4709ESN	GG4709ESJ
GN4709ESR	GN4709ESG	GN4709ESN	GN4709ESJ
GP4709ESR	GP4709ESG	-	-
GR4709ESR	GR4709ESG	GR4709ESN	GR4709ESJ
GZ4709ESR	GZ4709ESG	-	-

## 16 1/2" x 7" Eaton "ESII"

- Uses extended wear lining, cam and hardware
- Retainer springs attach on web
- Single Anchor Pin
- Hardware Kit Part # **CQ65477**
- Hardware Kit Part # **CQ65445** available for steer axle



Width	FMSI #	Shoe I.D.	Core Group
7"	4709	ES2	4709NS

Relined Shoe	Relined-Gripper Kit With CQ65477	New Lined Shoe	New-Gripper Kit With CQ65477
GC4709ES2R	GC4709ES2G	GC4709ES2N	GC4709ES2J
GD4709ES2R	GD4709ES2G	GD4709ES2N	GD4709ES2J
GF4709ES2R	GF4709ES2G	GF4709ES2N	GF4709ES2J
GG4709ES2R	GG4709ES2G	GG4709ES2N	GG4709ES2J
GN4709ES2R	GN4709ES2G	GN4709ES2N	GN4709ES2J
GP4709ES2R	GP4709ES2G	-	-
GR4709ES2R	GR4709ES2G	GR4709ES2N	GR4709ES2J
GZ4709ES2R	GZ4709ES2G	GZ4709ES2N	GZ4709ES2J

Consult the Haldex Master Catalog ([www.haldex.com](http://www.haldex.com)) for a complete listing of Friction Products Offered.

# Meritor - Air/Single Web Brakes

## 15" x 4" Meritor "Q" Late Style

- Late Style Shoe Table Located 1" Toward Anchor End
- Hardware Kit Part # CQ69001 or # CQ67899 minor kit

Width	FMSI #	Shoe I.D.	Core Group
4"	1308	Q2	1308TQN



Relined Shoe	Relined-Gripper Kit With CQ69001	New Lined Shoe	New-Gripper Kit With CQ69001
GC1308Q2R	GC1308Q2G	GC1308Q2N	GC1308Q2J
-	-	GF1308Q2N	GF1308Q2J
GG1308Q2R	GG1308Q2G	GG1308Q2N	GG1308Q2J
GR1308Q2R	GR1308Q2G	GR1308Q2N	GR1308Q2J
HV761308Q2R	HV761308Q2G	HV761308Q2N	-

## 15" x 4" Meritor "Q" Plus

- Double Web
- Hardware Kit Part # CQ65642

Width	FMSI #	Shoe I.D.	Core Group
4"	4702	Q	4702



Relined Shoe	Relined-Gripper Kit With CQ65642	New Lined Shoe	New-Gripper Kit With CQ65642
GC4702QR	GC4702QG	GC4702QN	-
-	-	GF4702QN	GF4702QJ
GG4702QR	GG4702QG	GG4702QN	GG4702QJ
GR4702QR	GR4702QG	GR4702QN	GR4702QJ

## 16 1/2" x 7" Meritor "Q"

Width	FMSI #	Shoe I.D.	Core Group
7"	4515	Q	4515TQN



Relined Shoe	Relined-Gripper Kit With CQ66867	New Lined Shoe	New-Gripper Kit With CQ66867
GC4515QR	GC4515QG	GC4515QN	GC4515QJ
GD4515QR	GD4515QG	GD4515QN	GD4515QJ
GF4515QR	GF4515QG	GF4515QN	GF4515QJ
GG4515QR	GG4515QG	GG4515QN	GG4515QJ
	GM4515QR	GM4515QG	GM4515QN
GN4515QR	GN4515QG	GN4515QN	GN4515QJ
GP4515QR	GP4515QG	GP4515QN	GP4515QJ
GR4515QR	GR4515QG	GR4515QN	GR4515QJ
GZ4515QR	GZ4515QG	GZ4515QN	GZ4515QJ

# Meritor - Air/Double Web and Cast Brakes

## 16 1/2" x 7" Meritor "Q" Plus Current Design

- Shoe has no hump in web and inside rivet spacing across width of 2.75"
- Hardware Kit Part # CQ66867



Width	FMSI #	Shoe I.D.	Core Group
7"	4707	Q	4707

Relined Shoe	Relined-Gripper Kit With CQ66867	New Lined Shoe	New-Gripper Kit With CQ66867
GC4707QR	GC4707QG	GC4707QN	GC4707QJ
GD4707QR	GD4707QG	GD4707QN	GD4707QJ
GF4707QR	GF4707QG	GF4707QN	GF4707QJ
GG4707QR	GG4707QG	GG4707QN	GG4707QJ
GM4707QR	GM4707QG	-	-
GN4707QR	GN4707QG	GN4707QN	GN4707QJ
GP4707QR	GP4707QG	GP4707QN	GP4707QJ
GR4707QR	GR4707QG	GR4707QN	GGR4707QJ
GZ4707QR	GZ4707QG	GZ4707QN	GZ4707QJ

**Haldex offers a complete line of Brake Shoes. Please consult the Haldex Master Catalog ([www.haldex.com](http://www.haldex.com)) for a detailed listing of the friction products offered.**



## Brake Hardware Kits

### 12 1/4" TRAILER KITS

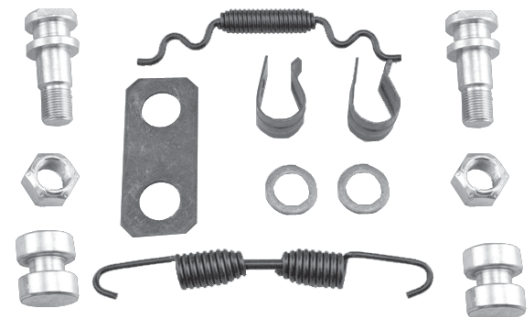
PART #	DESCRIPTION
CQ67395	Meritor - "Q" Series Brakes
CQ67397	Standard Forge - Cast Shoes and Weld on Spider
CQ67398	Fabricated Shoes and Weld on Spider
CQ67405	Dana - "FT" New Style Fabricated, 1 1/2" Diameter Roller and Weld on Spider
CQ67437	Dana Spicer - FC 1996 and newer 1 1/2" Roller and 1 1/4" Anchor Pin
CQ67503	Converts Standard Forge - Cast to Fabricated Shoes
CQ65620	Dexter - PQ Style May 1996 and newer
CQ69002	Dana Spicer - New Style U-Brake 1 1/4" Diameter Roller
CQ69006	Dana Spicer - New Style U-Brake 1 1/2" Diameter Roller



**CQ67395**

### 15" STEER AXLE KITS

PART #	DESCRIPTION
CQ65519	Bendix® - Ford Cargo Series Front Axle Brake
CQ65642	Meritor - "Q-Plus" Series Brakes
CQ66917	Eaton - ES Series Single Anchor Pin Front Axle Brakes
CQ66919	Meritor - T-Series Front Axle Brakes
CQ69001	Meritor - "Q" Series Front Axle Brakes - Single Web
CQ69007	Spicer - Front Axle Brake - Double Web
CQ69008	15" x 16 1/2" Dana/Spicer Heavy Axle
CQ69947	Eaton - ES Reduced Envelope Series 15" x 6" Front Axle Brake
CQ69948	Eaton - ES Reduced Envelope Series 15" x 8 5/8"



**CQ69001**

Consult the Haldex Master Catalog ([www.haldex.com](http://www.haldex.com)) for a complete listing of Friction Products Offered.

## Brake Hardware Kits (cont'd)

### 16 1/2" BRAKE HARDWARE KITS

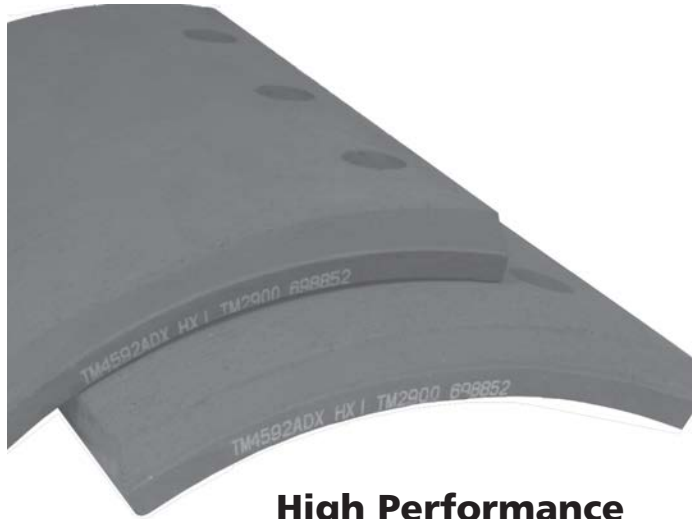
PART #	DESCRIPTION
CQ65444*	Eaton - "ES" Combination Kit
CQ65445*	Eaton - "ESII" Combination Kit
CQ65477	Eaton - "ESII" 2nd Generation
CQ65479	Eaton - "ES" for Meritor
CQ65481	Eaton - "ES" 1st Generation
CQ65520	Bendix® - Ford Cargo Series
CQ66867	Meritor - "Q" & "Q" Plus Heavy Duty
CQ66887	Meritor - "Q", "Q" Plus Relocated Return Spring Shoes & "Q" Plus Cam Shafts, Front Axle Brake
CQ66914	Fruehauf - "XEM" & "FQ" Heavy Duty
CQ67319	Eaton - Single Anchor Pin Heavy Duty
CQ67390	Meritor - "P" Series Captive Anchor Pin
CQ69005	Meritor - "Q" FL Series Front Axle



CQ66867

\* Combination Kit contains return springs for "horse collar" bracket application.

Consult the Haldex Master Catalog ([www.haldex.com](http://www.haldex.com)) for a complete listing of Friction Products Offered.



**High Performance  
APTA Certified  
26,000 lb. Brake Lining  
For Transit and  
Coach Applications  
Available in both New and  
Remanufactured Shoes**

## Performance Profile

- Developed for excellent braking performance and extended service life in all transit and coach applications
- Organic fiber based formulation provides outstanding thermal stability and enhanced drum life
- Quiet operation ensures passengers of a safe trouble-free ride
- Minimal growth and swell makes TransitmaX™ an excellent choice to be combined with automatic brake adjusters and ABS systems
- Standard and Oversize Linings available

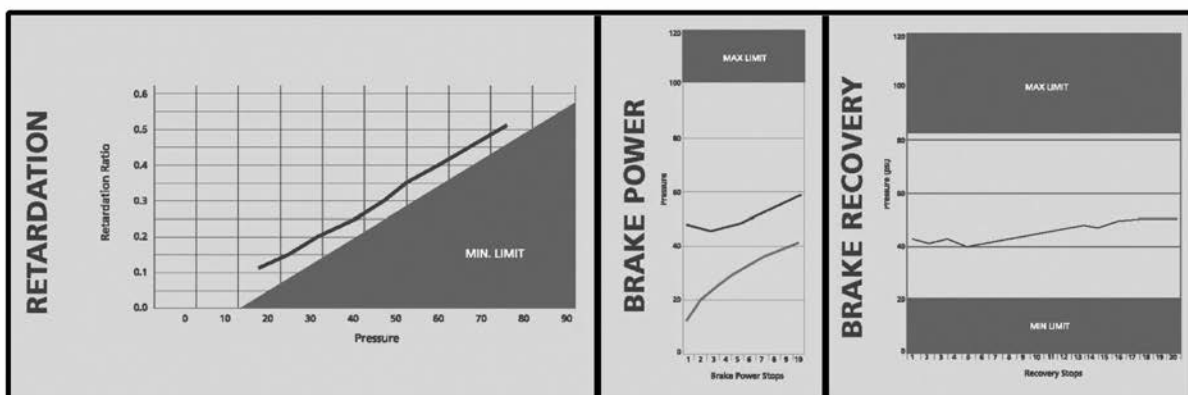
Brake: 16 1/2 x 8 5/8  
Axle Load: 26,000 lbs.  
Rolling Radius: 18.3  
AL Factor: 195

Brake: 14 1/2 x 10  
Axle Load: 26,000 lbs.  
Rolling Radius: 20.3  
AL Factor: 210

Friction Average:  
Normal 0.43  
Hot 0.41  
Coefficient - FF

## Quality & Certifications

- FMVSS-121 certified at 26K axle rating
- APTA / AMECA certified
- Manufactured in ISO/TS16949 certified facilities
- Decades of experience supplying friction for heavy and severe duty vehicles



# TRANSITMAX<sup>®</sup> (cont'd)



## Lined Shoes

- Over 30 years experience remanufacturing brake shoes
- Extensive Coast-to-Coast FMSI Inventory
- Available in both New and Remanufactured shoes
- Supplied in boxed or loose shoe configurations, brass or steel bolts, bushing replacement provided
- Nationwide Vehicle Down Response
- Standardized production processes ensure consistent quality

### Over 30 Quality Checkpoints and Inspections Per Shoe

- Table Wear & Damage
- Elongated Rivet Holes
- Web Damage
- Coating Coverage
- Anchor & Roller End Wear/Damage
- Lining Fit/Rivet Torque
- Shoe Stretch & Collapse

**ALL REMANUFACTURED SHOES ARE RELINED ACCORDING TO APTA RECOMMENDED PRACTICES**

## North America Service Center Locations



- Little Rock, AR
- Grand Rapids, MI
- Columbia, SC
- Houston TX
- Nashville, TN
- Harrisburg, PA
- Ontario, CA
- Vancouver, WA
- Cambridge, Ontario  
CANADA

# TRANSITMAX® (cont'd)

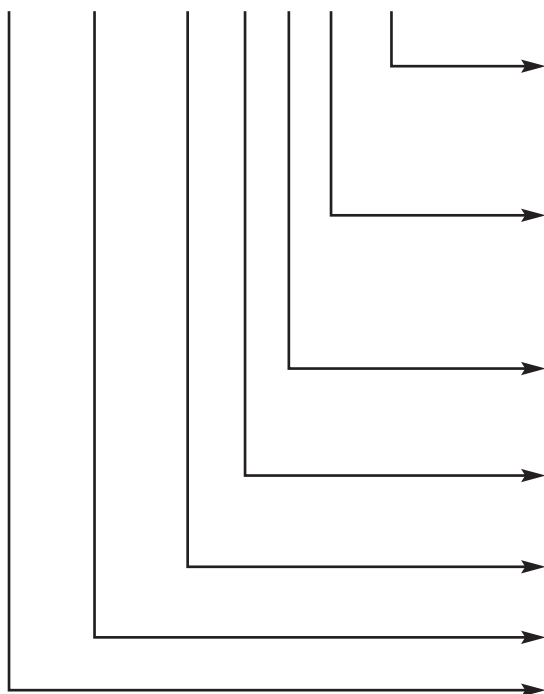
## TRANSIT BLOCK

TM

Friction Code .....FF  
 Material Type .....Organic  
 Brake Type .....“S” Cam  
 GAWR .....26,000 lbs.  
 Certification .....APTA / AMECA Approved

## PART NUMBER FORMAT - Transit

**TM 4592 686 L B G XX**



### Standard Thickness

**X** = 1st Oversize  
**XX** = 2nd Oversize  
**XXX** = 3rd Oversize

**G** = Reman Gripper Kit - Boxed (2 Shoes and Hardware Kit)  
**J** = New Gripper Kit - Boxed (2 Shoes and Hardware Kit)  
**K** = Reman Shoes - Boxed (2 Per)  
**P** = New Lined Shoes - Boxed (2 Per)  
**R** = Reman Shoe  
**N** = New Lined Shoe

### Bolt Information

**\_** = Steel Bolts  
**B** = Brass Bolts

### Bushing Information (\*)

**\_** = Bushings Not Replaced  
**L** = Bushing(s) And Labor

### Bushing Type

**686** = OE Reference

**FMSI NUMBER** (Friction Materials Standard Institute, Inc.)

**TM** = TransitmaX®

**(\*) Haldex strongly recommends all REMAN Shoe Bushings be replaced.**

## Fasteners

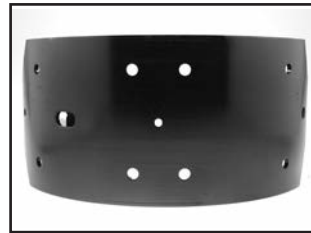
Part No.	Description
BA3816100B	3/8" x 1" Brass Bolt Assembly
BA3816100Z	3/8" x 1" Zinc Bolt Assembly
BA3816125B	3/8" x 1 1/4" Brass Bolt Assembly
BA3816125Z	3/8" x 1 1/4" Zinc Bolt Assembly
BA3816150Z	3/8" x 1 1/2" Zinc Bolt Assembly

**MERITOR  
"W" SERIES CAM BRAKE  
4228-1157  
Front Axle Brake**

**14 1/2" x 6"**

**OE Number      A4-32222-M-1157**

**Core Group      4228                      1 Pc Bushing**



Lining Part No.	Description
TM4228FD	Standard Thickness
TM4228FDX	First Oversize
TM4228FDXX	Double Oversize
TM4228FDXXX	Triple Oversize

**Popular Lined Shoe Numbers**

Haldex Part No.	New Bushing	Fastener Type	Shoe Type	Configuration	Hardware Included	Lining Thickness
TM42281157BJ	YES	BRASS BOLT	NEW	BOXED (2 PER)	YES	STANDARD
TM42281157BP	YES	BRASS BOLT	NEW	BOXED (2 PER)	NO	STANDARD
TM42281157LBG	YES	BRASS BOLT	REMAN	BOXED (2 PER)	YES	STANDARD
TM42281157LBK	YES	BRASS BOLT	REMAN	BOXED (2 PER)	NO	STANDARD

**BRAKE HARDWARE KIT**

**Part No. CQ69011**

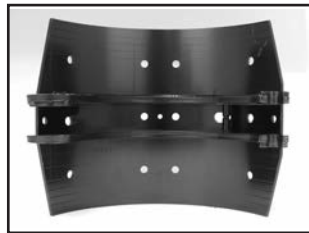


**MERITOR  
"W" SERIES CAM BRAKE  
4592-686  
Rear Axle Brake**

**14 1/2" x 10"**

**OE Number      A1-3722-J-686**

**Core Group      4592SB                      2 Pc Bushing**



Lining Part No.	Description
TM4592AD	Standard Thickness
TM4592ADX	First Oversize
TM4592ADXX	Double Oversize
TM4592ADXXX	Triple Oversize

**Popular Lined Shoe Numbers**

Haldex Part No.	New Bushing	Fastener Type	Shoe Type	Configuration	Hardware Included	Lining Thickness
TM4592686BJ	YES	BRASS BOLT	NEW	BOXED (2 PER)	YES	STANDARD
TM4592686BP	YES	BRASS BOLT	NEW	BOXED (2 PER)	NO	STANDARD
TM4592686LBG	YES	BRASS BOLT	REMAN	BOXED (2 PER)	YES	STANDARD
TM4592686LBK	YES	BRASS BOLT	REMAN	BOXED (2 PER)	NO	STANDARD

**BRAKE HARDWARE KIT**

**Part No. CQ69013**

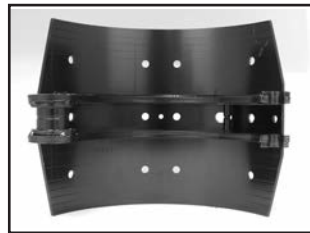


**MERITOR  
"W" SERIES CAM BRAKE  
4592-824  
Rear Axle Brake**

**14 1/2" x 10"**

**OE Number      A1-3722-R-824**

**Core Group      4592BB      1 Pc Bushing**



Lining Part No.	Description
TM4592AD	Standard Thickness
TM4592ADX	First Oversize
TM4592ADXX	Double Oversize
TM4592ADXXX	Triple Oversize

**Popular Lined Shoe Numbers**

Haldex Part No.	New Bushing	Fastener Type	Shoe Type	Configuration	Hardware Included	
TM4592824BJ	YES	BRASS BOLT	NEW	BOXED (2 PER)	YES	STANDARD
TM4592824BP	YES	BRASS BOLT	NEW	BOXED (2 PER)	NO	STANDARD
TM4592824LBG	YES	BRASS BOLT	REMAN	BOXED (2 PER)	YES	STANDARD
TM4592824LBK	YES	BRASS BOLT	REMAN	BOXED (2 PER)	NO	STANDARD

**BRAKE HARDWARE KIT**

**Part No. CQ69014**





**MAN  
CAST BRAKE  
4656 Cast  
Front Axle Brake**

**16.14" x 6.3"**

**OE Number 81502016187**

**Core Group 4656 1 Pc Bushing**



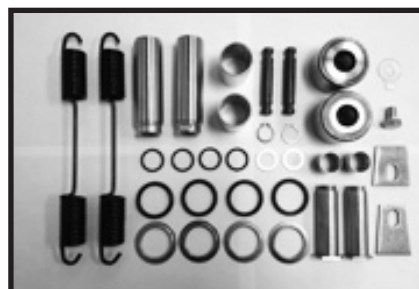
Lining Part No.	Description
TM4656D	Standard Thickness
TM4656DX	First Oversize
TM4656DXX	Double Oversize
TM4656DXXX	Triple Oversize

**Popular Lined Shoe Numbers**

Haldex Part No.	New Bushing	Fastener Type	Shoe Type	Configuration	Hardware Included	Lining Thickness
TM4656TCJ	YES	RIVET	NEW	BOXED (2 PER)	YES	STANDARD
TM4656TCLG	YES	RIVET	REMAN	BOXED (2 PER)	YES	STANDARD
TM4656TCLK	YES	RIVET	REMAN	BOXED (2 PER)	NO	STANDARD
TM4656TCP	YES	RIVET	NEW	BOXED (2 PER)	NO	STANDARD

**BRAKE HARDWARE KIT**

**Part No. CQ69019**



**MAN  
CAST BRAKE  
4657 Cast  
Rear Axle Brake**

**16.14" x 8.66"**

**OE Number 81502016188**

**Core Group 4657 1 Pc Bushing**



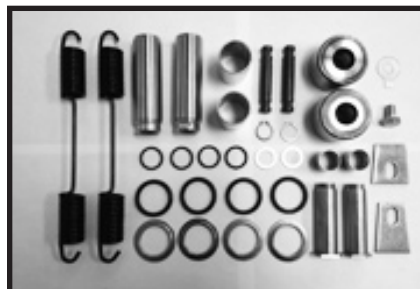
Lining Part No.	Description
TM4657D	Standard Thickness
TM4657DX	First Oversize
TM4657DXX	Double Oversize
TM4657DXXX	Triple Oversize

**Popular Lined Shoe Numbers**

Haldex Part No.	New Bushing	Fastener Type	Shoe Type	Configuration	Hardening Includess	Standard
TM4657TCJ	YES	RIVET	NEW	BOXED (2 PER)	YES	STANDARD
TM4657TCLG	YES	RIVET	REMAN	BOXED (2 PER)	YES	STANDARD
TM4657TCLK	YES	RIVET	REMAN	BOXED (2 PER)	NO	STANDARD
TM4657TCP	YES	RIVET	NEW	BOXED (2 PER)	NO	STANDARD

**BRAKE HARDWARE KIT**

**Part No. CQ69019**



**MERITOR  
CAST PLUS BRAKE  
4715 Cast  
Front Axle Brake**

**16 1/2" x 6"**

**OE Number      A-3222-H-2296**

**Core Group      4715CAST                      2 Pc Bushing**



Lining Part No.	Description
TM4517AD	Standard Thickness
TM4517ADX	First Oversize
TM4517ADXX	Double Oversize
TM4517ADXXX	Triple Oversize

**Popular Lined Shoe Numbers**

Haldex Part No.	New Bushing	Fastener Type	Shoe Type	Configuration	Hardware Included	Lining Thickness
TM4715TCJ	YES	RIVET	NEW	BOXED (2 PER)	YES	STANDARD
TM4715TCLG	YES	RIVET	REMAN	BOXED (2 PER)	YES	STANDARD
TM4715TCLK	YES	RIVET	REMAN	BOXED (2 PER)	NO	STANDARD
TM4715TCP	YES	RIVET	NEW	BOXED (2 PER)	NO	STANDARD

**BRAKE HARDWARE KIT**

**Part No. CQ67409**

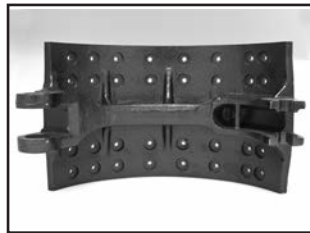


**MERITOR  
CAST PLUS BRAKE  
4728 Cast  
Rear Axle Brake**

**16 1/2" x 8 5/8"**

**OE Number      A-3222-F-2294**

**Core Group      4728CAST      2 Pc Bushing**



Lining Part No.	Description
TM4528AD	Standard Thickness
TM4528ADX	First Oversize
TM4528ADXX	Double Oversize
TM4528ADXXX	Triple Oversize

**Popular Lined Shoe Numbers**

Haldex Part No.	New Bushing	Fastener Type	Shoe Type	Configuration	Hardware Included	
TM4728TCJ	YES	RIVET	NEW	BOXED (2 PER)	YES	STANDARD
TM4728TCLG	YES	RIVET	REMAN	BOXED (2 PER)	YES	STANDARD
TM4728TCLK	YES	RIVET	REMAN	BOXED (2 PER)	NO	STANDARD
TM4728TCP	YES	RIVET	NEW	BOXED (2 PER)	NO	STANDARD

**BRAKE HARDWARE KIT**

**Part No. CQ67409**







# Specify Genuine **HALDEX** Gold Seal® Spring Brakes

— ACCEPT NO SUBSTITUTES —

Truck and trailer OEMs select Haldex for many reasons, but the #1 reason is that Haldex is the clear performance and reliability leader - with the lowest overall cost of ownership.

Protect your vehicle's braking performance by utilizing Gold Seal® spring brake replacement parts. Available in pre-cut lengths or standard OEM sizes with welded clevis.

Available at 2500+ distribution points throughout the US, Canada and Mexico.

**Continue or enhance your braking performance by installing these Genuine Haldex Products**



S-ABA



FFABS



Manifold Dash Valve



Air Dryer



Suspension Valve



[www.haldex.com](http://www.haldex.com) 1-800-643-2374

ABS • Air Suspension Control • Air Treatment • Automatic Brake Adjusters  
Friction • Remanufactured Products



## Thousands of Buses, Millions of Miles

Thousands of buses run millions of miles each year with premium Haldex air treatment products. Keep your fleet up and running by protecting your air brake system against moisture and contaminants. Major bus OEM's rely on the Haldex DRYest® and Consep™ to provide reliable performance and to ensure their transit systems are running each day.

Haldex air treatment products are effective in minimizing the build-up of water, oil and other contaminants while simultaneously reducing maintenance costs. Each product is designed for easy installation, reliability and long service life.

When it's time to spec an air treatment system, trust the reliable performance of Haldex air treatment products.



ABS • Air Suspension Control • Air Treatment • Automatic Brake Adjusters • Disc Brakes • Friction • Spring Brakes



# Specify Genuine **HALDEX** Automatic Brake Adjusters

— ACCEPT NO SUBSTITUTES —

Quality. Reliability. Safety. Using the most advanced technology, the Haldex Self-Setting Automatic Brake Adjuster (S-ABA) delivers unmatched performance over years of service and hundreds of thousands of miles.

Each S-ABA is designed for optimum brake adjustment to help prevent uneven brake wear so you have fewer repairs and less downtime. Backed by the industry's best warranty, the Haldex Self-Setting Automatic Brake Adjuster is your choice for quality, reliability and safety.

Available at 2500+ distribution points throughout the US, Canada and Mexico.

Continue or enhance your braking performance by installing these Genuine Haldex Products



**Air Dryers**



**FFABS**



**Gold Seal® Actuator**



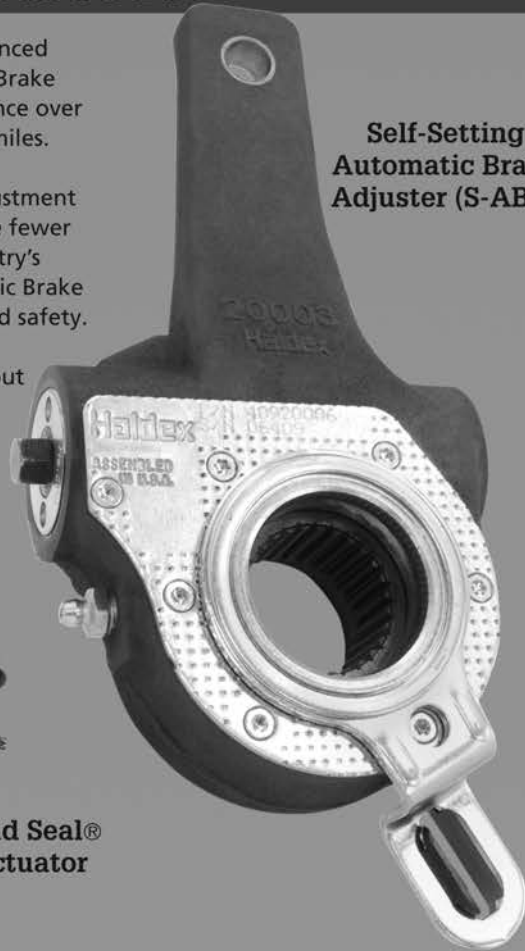
**Suspension Valve**



**AA1**



**Manifold Dash Valve**



**Self-Setting Automatic Brake Adjuster (S-ABA)**



[www.haldex.com](http://www.haldex.com) 1-800-643-2374

ABS • Air Suspension Control • Air Treatment • Automatic Brake Adjusters  
Friction • Remanufactured Products



## Haldex LIKE-NU<sup>®</sup> Remanufactured Parts

With remanufactured products from nearly forty different manufacturers, Haldex provides the most extensive line of any single remanufacturer. Whether you need Air Brake Components, Starters, Alternators, Hydraulic Calipers, Clutches, Water Pumps or Brake Shoes, the Haldex remanufactured line has the parts you need.

Haldex remanufactured products are the result of superior components, precise processes, exacting quality standards - and most importantly, demanding specifications. Precise machining, manufacturing and assembly practices are used to meet those specifications. As a result, our full range of products continue to set the industry standard for reliability.

Whatever you need. The quality you expect. The performance you can trust. Haldex Remanufactured Products provide it all - with the highest level of quality and integrity with the most extensive line of remanufactured products.



[www.haldex.com](http://www.haldex.com)  
1-800-643-2374

REMANUFACTURED  
IN THE USA



Air Compressors • Air Dryers • Air System Valves • Water Pumps • Starters • Alternators  
Clutches • Vacuum/Hydraulics • ABS • Power Steering • Fan Clutches

inside back cover - blank

Haldex develops and provides reliable and innovative solutions with focus on brake and air suspension products to the global commercial vehicle industry.

Listed on the Stockholm Stock Exchange, Haldex has annual sales of approximately 3.9 billion SEK and employs about 2,200 people.

Disclaimer: The products described within this literature, including without limitation, product features, specifications, designs, availability and pricing are subject to change by Haldex and its subsidiaries at any time without notice.

This document and other information from Haldex, its subsidiaries and authorized distributors provide product and/or system options for further investigation by users having technical expertise. It is important that you analyze all aspects of your application and review the information concerning the product or system, in the current literature or catalog. Due to the variety of operating conditions and applications for these products or systems, the user, through their own analysis and testing, is solely responsible for making the final selection of the products and systems and assuring that all performance, safety and warning requirements are met.

©2014, Haldex AB - This material may contain Haldex trademarks and third party trademarks, trade names, corporate logos, graphics and emblems which are the property of their respective companies. The contents of this document may not be copied, distributed, adapted or displayed for commercial purposes or otherwise without prior written consent from Haldex.

Innovative Vehicle Solutions

#### **Austria**

Haldex Wien Ges.m.b.H.  
Vienna  
Tel.: +43 1 8 69 27 97  
Fax: +43 1 8 69 27 97 27  
E-Mail: info.at@haldex.com

#### **Belgium**

Haldex N.V.  
Balegem  
Tel.: +32 9 363 90 00  
Fax: +32 9 363 90 09  
E-Mail: info.be@haldex.com

#### **Brazil**

Haldex do Brasil Ind. E Com. Ltda.  
São José dos Campos  
Tel.: +55 12 3935 4000  
Fax: +55 12 3935 4018  
E-Mail: info.brasil@haldex.com

#### **Canada**

Haldex Ltd.  
Cambridge, Ontario  
Tel.: +1 519 621 6722  
Fax: +1 519 621 3924  
E-Mail: info.ca@haldex.com

#### **China**

Haldex Vehicle Products Co. Ltd.  
Suzhou  
Tel.: +86 512 8885 5301  
Fax: +86 512 8765 6066  
E-Mail: info.cn@haldex.com

#### **France**

Haldex Europe SAS  
Weyersheim  
Tel.: +33 3 88 68 22 00  
Fax: +33 3 88 68 22 09  
E-Mail: info.eur@haldex.com

#### **Germany**

Haldex Brake Products GmbH  
Heidelberg  
Tel.: +49 6 221 7030  
Fax: +49 6 221 703400  
E-Mail: info.de@haldex.com

#### **Hungary**

Haldex Hungary Kft.  
Szentlőrincváta  
Tel.: +36 29 631 400  
Fax: +36 29 631 401  
E-Mail: info.hu.eu@haldex.com

#### **India**

Haldex India Limited  
Nasik  
Tel.: +91 253 6699501  
Fax: +91 253 2380729

#### **Italy**

Haldex Italia Srl.  
Biassono  
Tel.: +39 039 47 17 02  
Fax: +39 039 27 54 309  
E-Mail: info.it@haldex.com

#### **Korea**

Haldex Korea Ltd.  
Seoul  
Tel.: +82 2 2636 7545  
Fax: +82 2 2636 7548  
E-Mail: info.hkr@haldex.com

#### **Mexico**

Haldex de Mexico S.A. De C.V.  
Monterrey  
Tel.: +52 81 8156 9500  
Fax: +52 81 8313 7090

#### **Poland**

Haldex Sp. z.o.o.  
Praszka  
Tel.: +48 34 350 11 00  
Fax: +48 34 350 11 11  
E-Mail: info.pl@haldex.com

#### **Russia**

OOO "Haldex RUS"  
Moscow  
Tel.: +7 495 747 59 56  
Fax: +7 495 786 39 70  
E-Mail: info.ru@haldex.com

#### **Spain**

Haldex España S.A.  
Granollers  
Tel.: +34 93 84 07 239  
Fax: +34 93 84 91 218  
E-Mail: info.es@haldex.com

#### **Sweden**

Haldex Brake Products AB  
Landskrona  
Tel.: +46 418 47 60 00  
Fax: +46 418 47 60 01  
E-Mail: info.se@haldex.com

#### **United Kingdom**

Haldex Ltd.  
Newton Aycliffe  
Tel.: +44 1325 310 110  
Fax: +44 1325 311 834  
E-Mail: info.gb@haldex.com

Haldex Brake Products Ltd.  
MIRA Technology Park  
Tel.: +44 2476 400 300  
Fax: +44 2476 400 301  
E-Mail: info.gb@haldex.com

#### **USA**

Haldex Brake Products Corp.  
Kansas City  
Tel.: +1 816 891 2470  
Fax: +1 816 891 9447  
E-Mail: info.us@haldex.com



www.haldex.com